



EWT90H

WALK-BEHIND TROWELS

PARTS MANUAL

The ESI Team at your service

Roger Euliss – rogere@theESlchoice.com	TF: 866-648-7101 x 101; Cell: 310-433-2355
Garry Haferbier – garryh@theESlchoice.com	TF: 866-648-7101 x 104; Cell: 609-233-9671
Poonam Kapila – poonamk@theESlchoice.com	TF: 866-648-7101 x 102; Cell: 310-502-7721
Jeremy Willis - Jeremy.Willis@alleneng.com	TF: 800-643-0095 or 870-236-3700 x 148
Sales Information – Sales@theESlchoice.com	TF: 866-648-7101 x 103
Orders – Orders@theESlchoice.com	TF: 866-648-7101 x 103
Accounts Receivable – KDavis@theESlchoic.com	TF: 866-648-7101 x 105

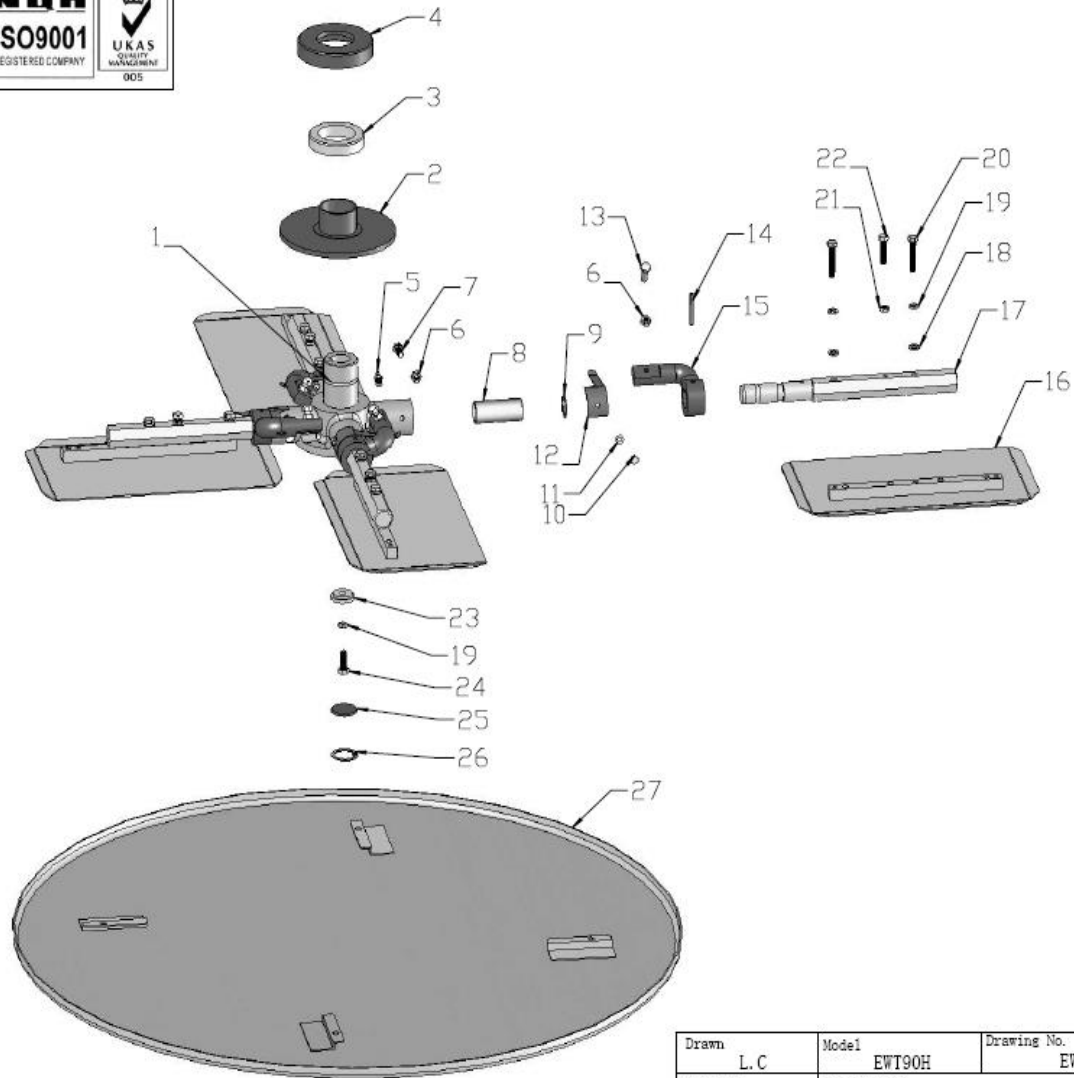
Equipment Synergy International, LLC

P.O. Box 1902 (7422 Rock Hollow Lane) Midland, Michigan 48641 (48642)

Toll Free: 866.648.7101 Fax: 336.310.1177

web: www.theESlchoice.com

EWT90H-01 SPIDER ASSY



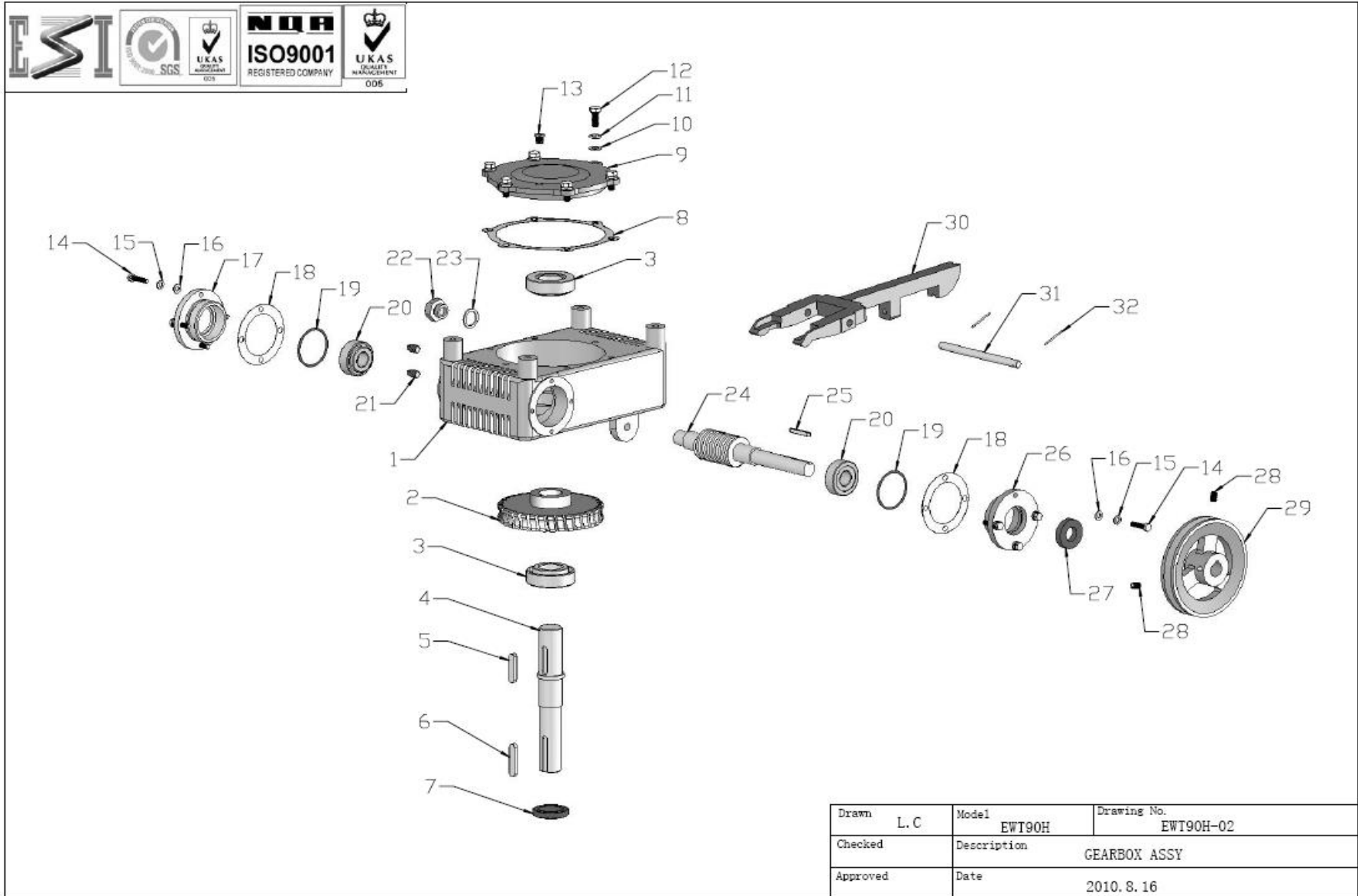
Drawn	Model	Drawing No.
L. C	EWT90H	EWT90H-01
Checked	Description	SPIDER ASSY.
Approved	Date	2018.08.16

2010. 8. 16

EWT90H-01 SPIDER ASSY

NO.	PART NO.	PART DESCRIPTION	QTY
01-1	947-00609	SPIDER	1
01-2	947-00603	TILT PLATE	1
01-3	W01-NIS-55TNK29	BEARING	1
01-4	947-00605	BEARING HOUSING	1
01-5	TOL-T-001	GREASE NIPPLE	4
01-6	FN.N-M8-DIN-1	NUT	8
01-7	FN.B-M8x20-8.8-DIN-1	BOLT	4
01-8	50-000067	SPIIDER BUSH	4
01-9	W04-26x2	O RING	4
01-10	FN.B-M6x10-8.8-DIN-1	BOLT	4
01-11	HSPG.W6-DIN-1	SPRING WASHER,TANG ENDS	4
01-12	947-00604	SPRING SLICE	4
01-13	SHH.B-M8x25	BOLT	4
01-14	SC.PIN-5x40	SPRING PIN	4
01-15	947-00602	TILT ARM	4
01-16	111.8.002	COMBINATION BLADE	4
01-17	947-00601	SPIDER ARM	4
01-18	FN.W8-DIN-1	WASHER	8
01-19	HSPG.W8-DIN-1	SPRING WASHER, TANG ENDS	9
01-20	FN.B-M8x45-8.8-DIN-1	BOLT	8
01-21	FNL.N-M8-DIN-1	HEXAGON THIN NUT	4
01-22	FN.B-M8x35-8.8-DIN-1	BOLT	4
01-23	947-99945	WASHER	1
01-24	FN.B-M8x25-8.8-DIN-1	BOLT	1
01-25	100G-040305	RUBBER WASHER	1
01-26	CH.RG36	INTERNAL CIRCLIP	1
01-27	100GB-080000P	ROUND PAN	1

EWT90H-02 GEARBOX ASSY

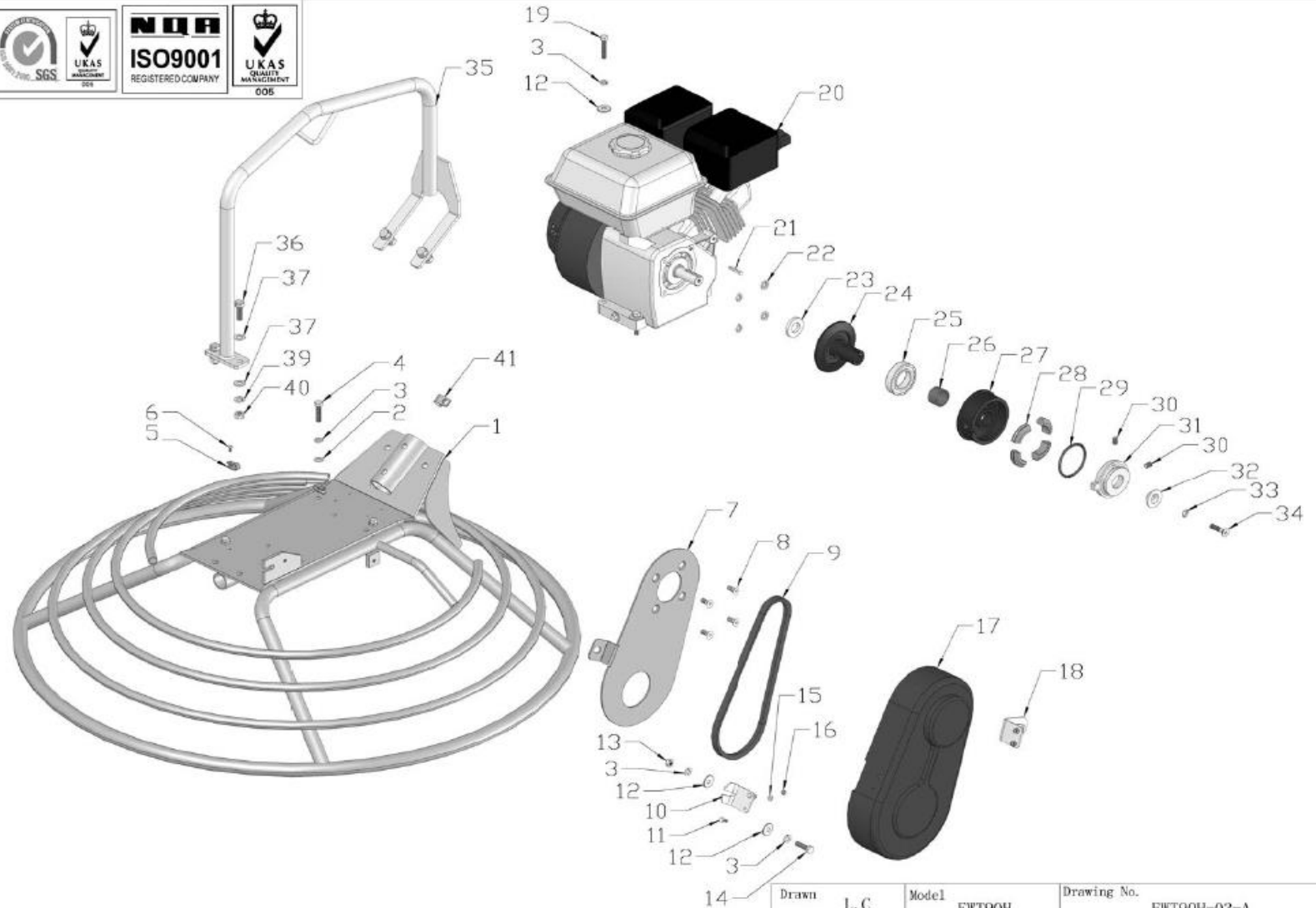


Drawn	L. C	Model	EWT90H	Drawing No.	EWT90H-02
Checked		Description	GEARBOX ASSY		
Approved		Date	2010. 8. 16		

EWT90H-02 GEARBOX ASSY

NO.	PART NO.	PART DESCRIPTION	QTY
02-1	947-040001	WORM GEAR BOX	1
02-2	100GB-040107	WORM GEAR	1
02-3	W01-32206-J	BEARING	2
02-4	100GB-040115	WORM GEAR SHAFT	1
02-5	Key.A-8x7x40	KEY	1
02-6	Key.A-8x7x45	KEY	1
02-7	W03-45x30x8	OIL SEAL	1
02-8	100GB-040402	SEAL, TOP COVER	1
02-9	100GB-040110	TOP COVER	1
02-10	FN.W8-DIN-1	WASHER	6
02-11	HSPG.W8-DIN-1	SPRING WASHER ,TANG ENDS	6
02-12	FN.B-M8x20-8.8-DIN-1	BOLT	6
02-13	100G-000004	VENT SCREW	1
02-14	FN.B-M6x25-8.8-DIN-1	BOLT	8
02-15	HSPG.W6-DIN-1	SPRING WASHER ,TANG ENDS	8
02-16	FN.W6-DIN-1	WASHER	8
02-17	100GB-040302	CLOSE COVER	1
02-18	100GB-040401	SEAL, SIDE COVER	2
02-19	W04-47.7x2.65	O RING	2
02-20	W01-32204-J	BEARING	2
02-21	100GB-040111	STOPPER	2
02-22	100GB-041000	OIL GAUGE	1
02-23	ZH-D-M20	WASHER	1
02-24	120GB-040308	WORM	1
02-25	Key.A-5x32	KEY	1
02-26	100GB-040310	SIDE COVER	1
02-27	W03-40x20x8	OIL SEAL	1
02-28	FHSS.S-M8x12-GB-3	GRUB SCREW	2
02-29	100GB-040314	PULLEY	1
02-30	100G-060400	TILT YOKE	1
02-31	100G-060500	SHAFT	1
02-32	SP.PIN-2x26	SPLIT PIN	2

EWT90H-03 ENGINE BASE AND CLUTCH ASSY

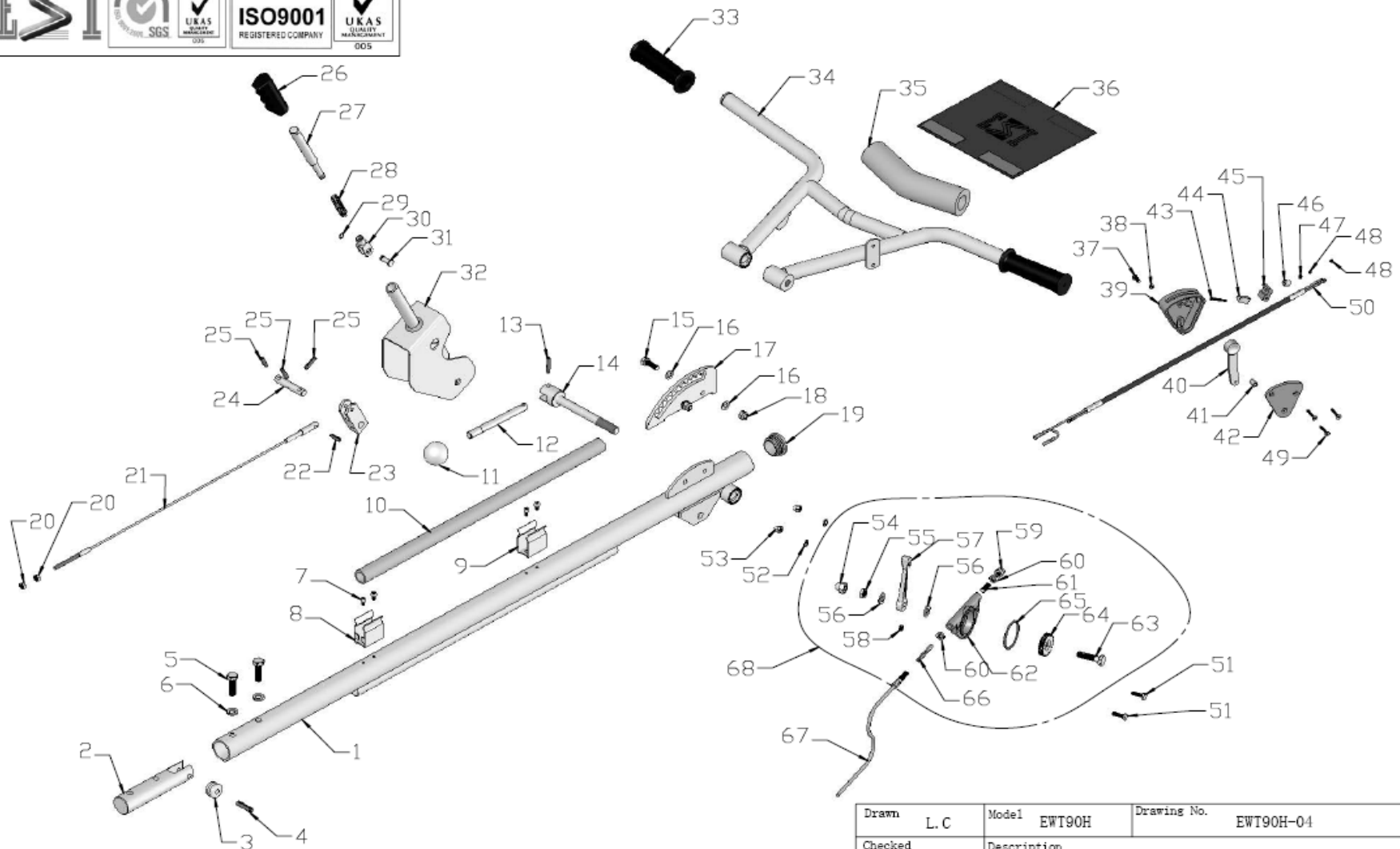


Drawn	L. C	Model	EWT90H	Drawing No.	EWT90H-03-A
Checked		Description	ENGINE BASE AND CLUTCH ASSY		
Approved		Date	2010. 11. 15		

EWT90H-03 ENGINE BASE AND CLUTCH ASSY

NO.	PART NO.	PART DESCRIPTION	QTY
03-1	90GB-020000E	GUARD RING	1
03-2	FN.W8-DIN-1	WASHER	4
03-3	HSPG.W8-DIN-1	SPRING WASHER,TANG ENDS	10
03-4	FN.B-M8x35-8.8-DIN-1	BOLT	4
03-5	X1-J-10.4	CABLE CLAMP	2
03-6	PAN.S-M4x10-GB-2	PAN HEAD SCREW	2
03-7	90GB-030400E	BACK PLATE	1
03-8	HSF.S-M8x20-8.8-DIN-1	SOCKET COUNTERSUNK HEAD SCREW	4
03-9	W02-A29	V-BELT	1
03-10	100G-030200	BRACKET 1	1
03-11	FN.B-M5x12-8.8-DIN-1	BOLT	4
03-12	W0D.W8-GB-1	WASHER	7
03-13	FN.N-M8-DIN-1	NUT	1
03-14	FN.B-M8x30-8.8-DIN-1	BOLT	1
03-15	FN.W5-DIN-1	WASHER	4
03-16	947-000017	LOCK NUT	4
03-17	100G-030100D	BELT GUARD	1
03-18	100G-030300	BRACKET 2	1
03-19	FN.B-M8x40-8.8-DIN-1	BOLT	4
03-20	W05-GX160UT1-SWX2	ENGINE	1
03-21	Key.B-5x5x32	KEY	1
03-22	90GB-030500	BUSH	4
03-23	276-030400	WASHER	1
03-24	100GB-070101	SHAFT	1
03-25	W01-6007ZZ	BEARING	1
03-26	100G-070500	BUSH	1
03-27	100GB-070105	CLUTCH DRUM	1
03-28	100G-070400	CLUTCH BLOCK	4
03-29	100G-070109	SPRING	1
03-30	FHSS.S-M8x12-GB-3	GRUB SCREW	2
03-31	100G-070300	CLUTCH PLATE	1
03-32	90GB-030600	END CAP	1
03-33	CETL.W8	COUNTERSUNK EXTERNAL TOOTHED LOCK WASHER	1
03-34	HSF.S-M8x35-8.8-DIN-1	SOCKET COUNTERSUNK HEAD SCREW	1
03-35	90GB-030200E	LIFTING HANDLE	1
03-36	FN.B-M10x30-8.8-DIN-1	BOLT	4
03-37	FN.W10-DIN-1	WASHER	8
03-38	FN.B-M8x20-8.8-DIN-1	BOLT	1
03-39	HSPG.W10-DIN-1	SPRING WASHER,TANG ENDS	4
03-40	FN.N-M10-DIN-1	NUT	4
03-41	90GB-030900F	CLIP	1

EWT90H-04 OPERATION HANDLE ASSY



Drawn	L. C	Model	EWT90H	Drawing No.	EWT90H-04
Checked		Description	OPERATION HANDLE ASSY		
Approved		Date	2010. 8. 17		



EWT90H-04 OPERATION HANDLE ASSY

NO.	PART NO.	PART DESCRIPTION	QTY
04-1	120GB-090100Q	HANDLE BOTTOM,QUICK PITCH	1
04-2	100G-010005	WHEEL BLOCK	1
04-3	100G-010004	WHEEL	1
04-4	SC.PIN-8x32	SPRING PIN	1
04-5	FN.B-M10x35-8.8-DIN-1	BOLT	2
04-6	HSPG.W10-DIN-1	SPRING WASHER,TANG ENDS	2
04-7	HS.B-M5x8-8.8-GB-1	SCREW	4
04-8	100GBII-000003	SPRING CLIP 2	1
04-9	100GBII-000001	SPRING CLIP 1	1
04-10	100GBII-000002	LIFTING TUBE	1
04-11	SH.A-M12x40	GRIP BALL	1
04-12	947-99947	BAR	1
04-13	SC.PIN-6x30	SPRING PIN	1
04-14	947-06606	SCREWD-TOMMY BAR	1
04-15	FN.B-M8x25-8.8-DIN-1	BOLT	2
04-16	FN.W8-DIN-1	WASHER	4
04-17	947-99991	ADJUSTER RING	1
04-18	IN.N-M8-DIN-1	LOCK NUT	2
04-19	947-99992	QUICK PITCH INSERT	1
04-20	FN.N-M6-DIN-1	NUT	2
04-21	120GB-000010Q	DEPTH CONTROL CABLE ASSY	1
04-22	SC.PIN-6x20	SPRING PIN	1
04-23	947-99994	CABLE MOUNT	1
04-24	947-99993	PIVOT SHAFT	1
04-25	SC.PIN-6x25	SPRING PIN	3
04-26	947-99921	HANDLE COVER	1
04-27	947-05901	PIN QUICK PITCH	1
04-28	19.0.033	SPRING	1
04-29	CS.RG8	EXTERNAL CIRCLIP	1
04-30	947-05902	CLEVIS	1
04-31	21.0.109	ADJUSTER PIN	1
04-32	947-06300	MECHANISM FORK	1
04-33	100G-010001	HANDLE COVER	2
04-34	120GB-090200E	HANDLEBAR	1
04-35	947-99998	HANDLE FOAM	1
04-36	120GB-000004	HANDLE FABRIC	1
04-37	FN.B-M5x12-8.8-DIN-1	BOLT	2
04-38	SPG.W5-DIN-1	SPRING WASHER	2
04-39	100G-010101	CUTOUT SWITCH SHELL	1
04-40	100G-010103	CUTOUT SWITCH LEVER	1

04-41	100G-010104	CUTOUT SWITCH BUSH	1
04-42	100G-010102	CUTOUT COVER	1
04-43	F.S-M3x30-DIN-1	COUNTERSUNK HEAD SCREW	1
04-44	100G-010107	CUTOUT SWITCH REED	1
04-45	100G-010105	CUTOUT SWITCH OUTLET	1
04-46	100G-010106	CUTOUT SWITCH WASHER	1
04-47	FN.W3-DIN-2	WASHER	1
04-48	FN.N-M3-DIN-2	NUT	2
04-49	F.S-M4x25-DIN-1	COUNTERSUNK HEAD SCREW	3
04-50	90GB-000013	WIRE	1
04-51	FN.B-M6x20-8.8-DIN-2	BOLT	2
04-52	HSPG.W6-DIN-2	SPRING WASHER,TANG ENDS	2
04-53	HC.N-M6-DIN-2	CAP NUT	2
04-54	HC.N-M10-DIN-2	CAP NUT	1
04-55	FNL.N-M10-DIN-2	HEXAGON THIN NUT	1
04-56	FN.W10-DIN-2	WASHER	2
04-57	70ND-060000	THROTTLE LEVER	1
04-58	FHSS.S-M6x8-GB-3	SOCKET SCREW WITH FLAT HEAD	1
04-59	HC.N-M8-DIN-2	CAP NUT	1
04-60	FNL.N-M8-DIN-2	HEXAGON THIN NUT	2
04-61	FHSS.S-M8x20-GB-3	SOCKET SCREW WITH FLAT HEAD	1
04-62	70ND-060001	THROTTLE BODY	1
04-63	70ND-060003	BOLT	1
04-64	70ND-060002	THROTTLE GEAR	1
04-65	W04-45x3	O-RING	1
04-66	70ND-060004	SLIDER	1
04-67	W06-S04-L1420x1620	THROTTLE CABLE	1
04-68	70ND-010018	THROTTLE LEVER ASSY	1

