



# EWT120H

# WALK-BEHIND TROWELS

# PARTS MANUAL

## The ESI Team at your service

Roger Euliss – <a href="mailto:rogere@theESlchoice.com">rogere@theESlchoice.com</a>	TF: 866-648-7101 x 101; Cell: 310-433-2355
Garry Haferbier – <a href="mailto:garryh@theESlchoice.com">garryh@theESlchoice.com</a>	TF: 866-648-7101 x 104; Cell: 609-233-9671
Poonam Kapila – <a href="mailto:poonamk@theESlchoice.com">poonamk@theESlchoice.com</a>	TF: 866-648-7101 x 102; Cell: 310-502-7721
Jeremy Willis - <a href="mailto:Jeremy.Willis@alleneng.com">Jeremy.Willis@alleneng.com</a>	TF: 800-643-0095 or 870-236-3700 x 148
Sales Information – <a href="mailto:Sales@theESlchoice.com">Sales@theESlchoice.com</a>	TF: 866-648-7101 x 103
Orders – <a href="mailto:Orders@theESlchoice.com">Orders@theESlchoice.com</a>	TF: 866-648-7101 x 103
Accounts Receivable – <a href="mailto:KDavis@theESlchoic.com">KDavis@theESlchoic.com</a>	TF: 866-648-7101 x 105

## Equipment Synergy International, LLC

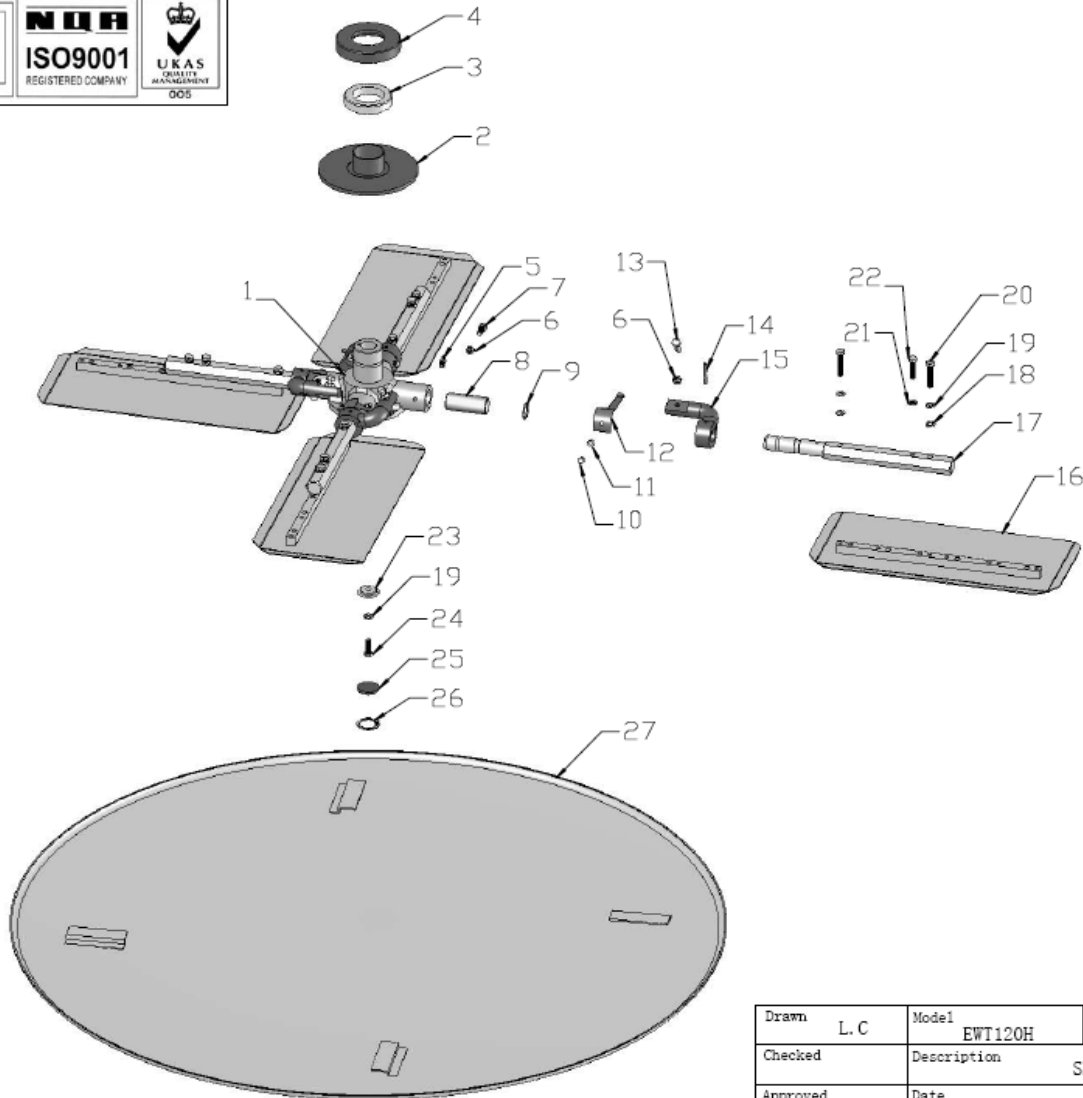
P.O. Box 1902 (7422 Rock Hollow Lane) Midland, Michigan 48641 (48642)

Toll Free: 866.648.7101 Fax: 336.310.1177

web: [www.theESlchoice.com](http://www.theESlchoice.com)



# EWT120H-01 SPIDER ASSY

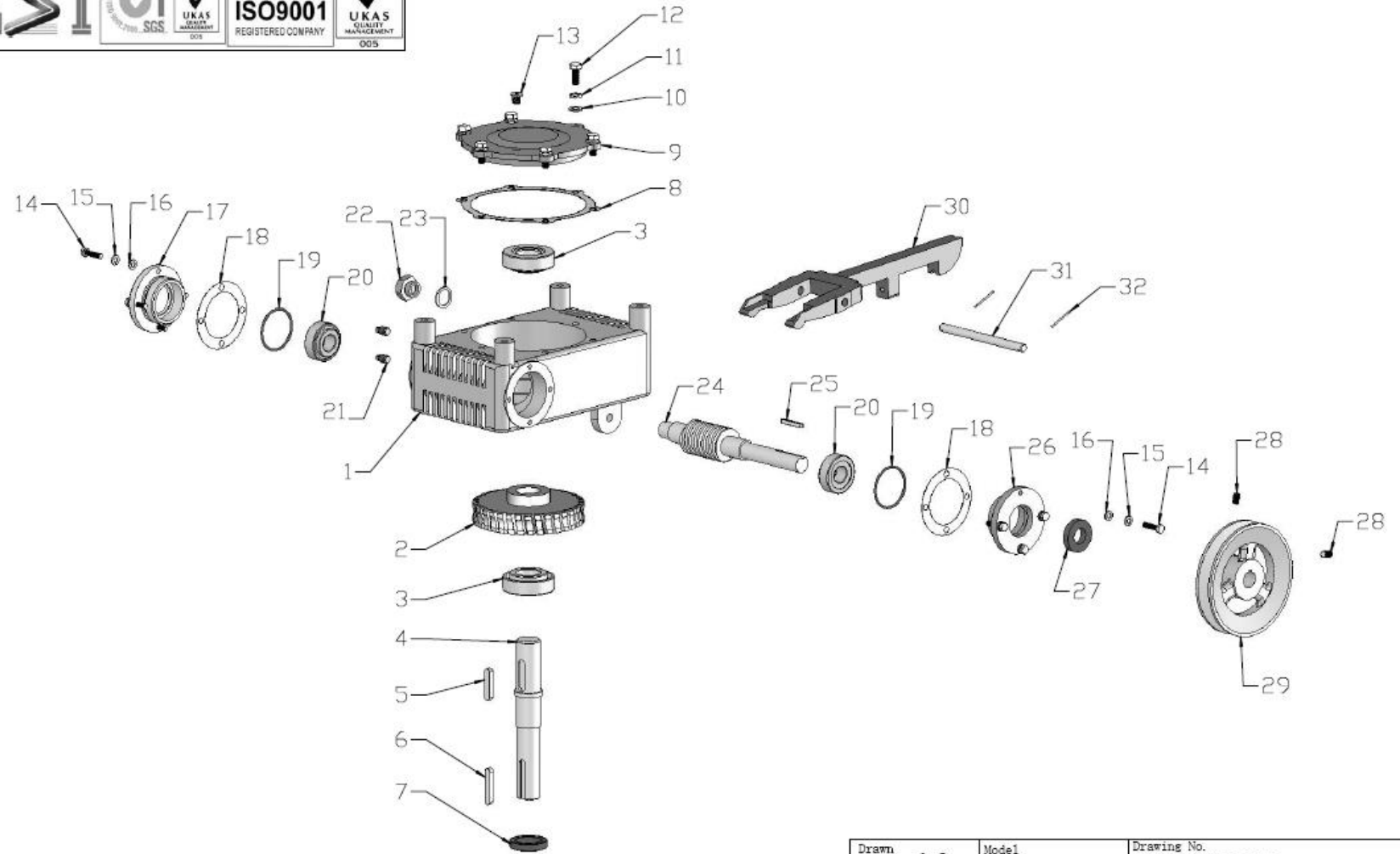


Drawn	L. C	Model	EWT120H	Drawing No.	EWT120H-01
Checked		Description	SPIDER ASSY.		
Approved		Date	2010. 8. 17		

## EWT120H-01 SPIDER ASSY

NO.	PART NO.	PART DESCRIPTION	QTY
01-1	947-00609	SPIDER	1
01-2	947-00603	TILT PLATE	1
01-3	W01-NIS-55TNK29	BEARING	1
01-4	947-00605	BEARING HOUSING	1
01-5	TOL-T-001	GREASE NIPPLE	4
01-6	FN.N-M8-DIN-1	NUT	8
01-7	FN.B-M8x20-8.8-DIN-1	BOLT	4
01-8	50-000067	SPIDER BUSH	4
01-9	W04-26x2	O RING	4
01-10	FN.B-M6x10-8.8-DIN-1	BOLT	4
01-11	HSPG.W6-DIN-1	SPRING WASHER,TANG ENDS	4
01-12	947-00604	SPRING SLICE	4
01-13	SHH.B-M8x25	BOLT	4
01-14	SC.PIN-5x40	SPRING PIN	4
01-15	947-00602	TILT ARM	4
01-16	947-99956	COMBINATION BLADE	4
01-17	947-00607	SPIDER ARM	4
01-18	FN.W8-DIN-1	WASHER	8
01-19	HSPG.W8-DIN-1	SPRING WASHER, TANG ENDS	9
01-20	FN.B-M8x45-8.8-DIN-1	BOLT	8
01-21	FNL.N-M8-DIN-1	HEXAGON THIN NUT	4
01-22	FN.B-M8x35-8.8-DIN-1	BOLT	4
01-23	947-99945	WASHER	1
01-24	FN.B-M8x25-8.8-DIN-1	BOLT	1
01-25	100G-040305	RUBBER WASHER	1
01-26	CH.RG36	INTERNAL CIRCLIP	1
01-27	120GB-080000P	ROUND PAN	1

# EWT120H-02 GEARBOX ASSY

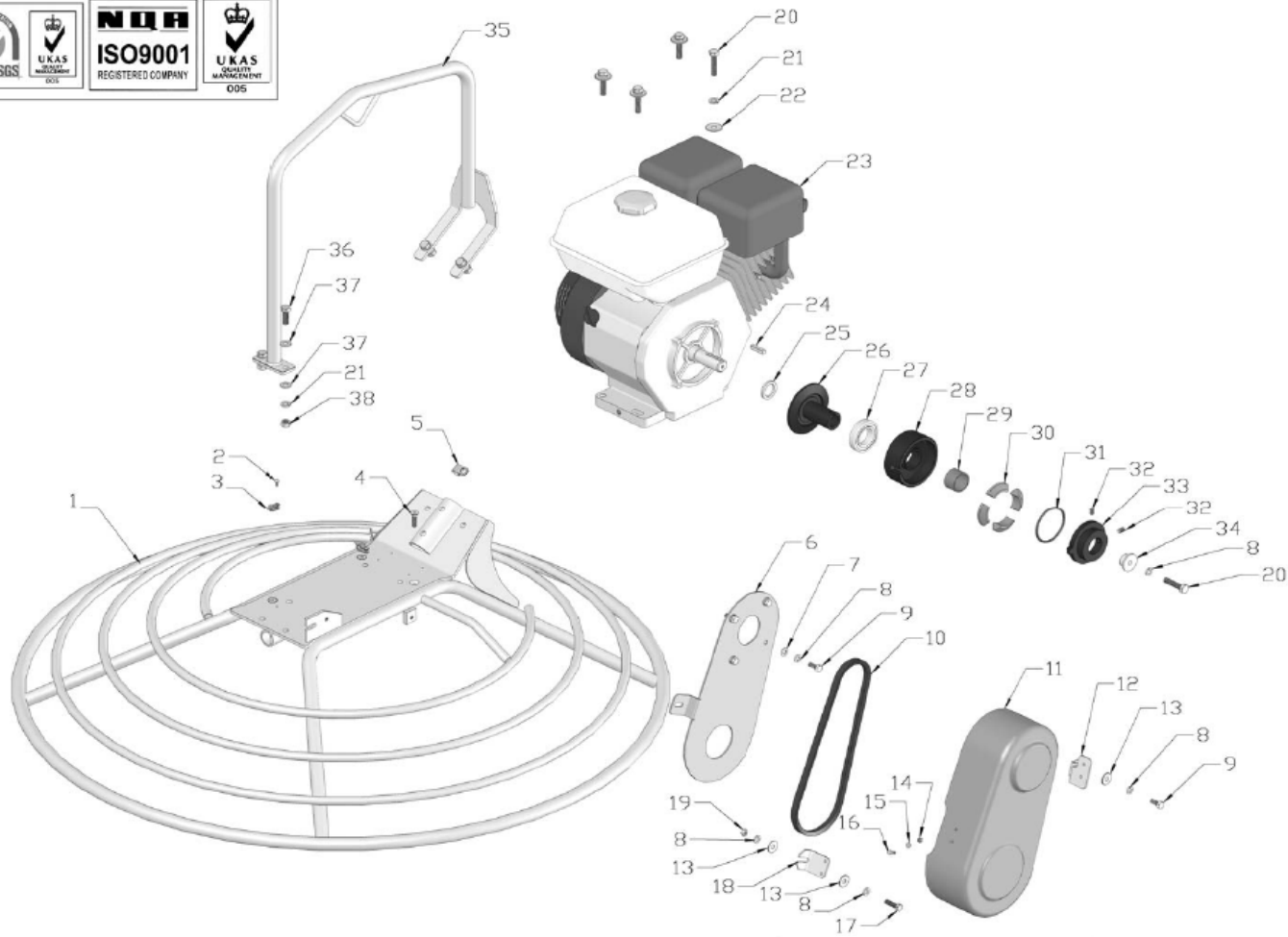


Drawn	L. C	Model	EWT120H	Drawing No.	EWT120H-02
Checked		Description	GEARBOX ASSY		
Approved		Date	2010.8.17		

## EWT120H-02 GEARBOX ASSY

NO.	PART NO.	PART DESCRIPTION	QTY
02-1	947-040001	WORM GEAR BOX	1
02-2	947-040107-1200	WORM GEAR	1
02-3	W01-32206-J	BEARING	2
02-4	947-040115	WORM GEAR SHAFT	1
02-5	Key.A-8x7x40	KEY	1
02-6	Key.A-8x7x45	KEY	1
02-7	W03-45x30x8	OIL SEAL	1
02-8	100GB-040402	SEAL, TOP COVER	1
02-9	100GB-040110	TOP COVER	1
02-10	FN.W8-DIN-1	WASHER	6
02-11	HSPG.W8-DIN-1	SPRING WASHER, TANG ENDS	6
02-12	FN.B-M8x20-8.8-DIN-1	BOLT	6
02-13	100G-000004	VENT SCREW	1
02-14	FN.B-M6x25-8.8-DIN-1	BOLT	8
02-15	HSPG.W6-DIN-1	SPRING WASHER, TANG ENDS	8
02-16	FN.W6-DIN-1	WASHER	8
02-17	100GB-040302	CLOSE COVER	1
02-18	100GB-040401	SEAL, SIDE COVER	2
02-19	W04-47.7x2.65	O RING	2
02-20	W01-32204-J	BEARING	2
02-21	100GB-040111	STOPPER	2
02-22	100GB-041000	OIL GAUGE	1
02-23	ZH-D-M20	WASHER	1
02-24	120GB-040308	WORM	1
02-25	Key.A-5x32	KEY	1
02-26	100GB-040310	SIDE COVER	1
02-27	W03-40x20x8	OIL SEAL	1
02-28	FHSS.S-M8x12	GRUB SCREW	2
02-29	947-99910	PULLEY	1
02-30	100G-060400	TILT YOKE	1
02-31	100G-060500	SHAFT	1
02-32	SP.PIN-2x26	SPLIT PIN	2

# EWT120H-03-A ENGINE BASE AND CLUTCH ASSY



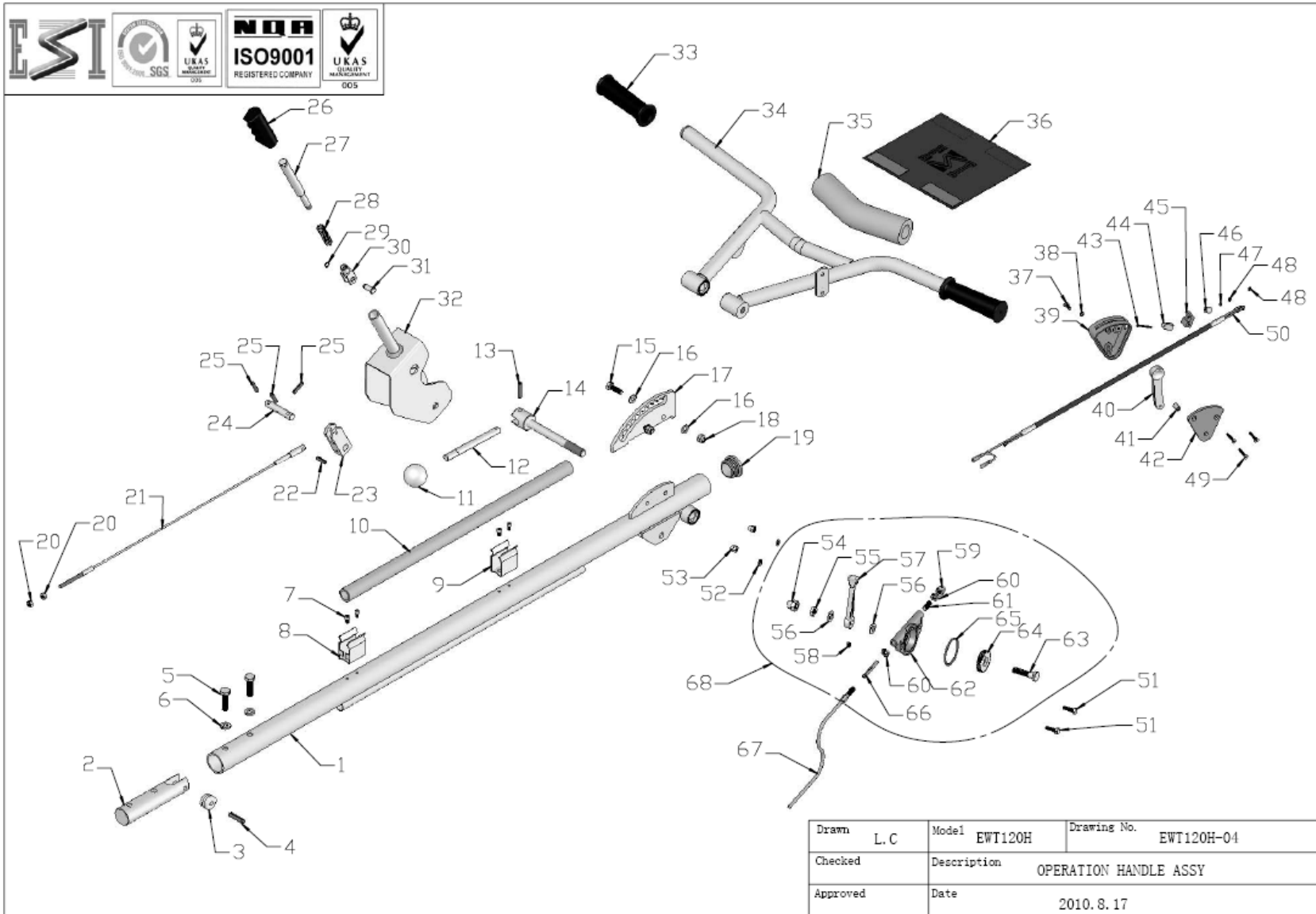
Drawn	L. C	Model	EWT90H	Drawing No.	EWT120H-03-A
Checked		Description	ENGINE BASE AND CLUTCH ASSY		
Approved		Date	2010. 11. 15		

## EWT120H-03-A ENGINE BASE AND CLUTCH ASSY

NO.	PART NO.	PART DESCRIPTION	QTY
03-1	120GB-020000E	GUARD RING	1
03-2	PAN.S-M4x10-GB-2	PAN HEAD SCREW	2
03-3	X1-J-10.4	CABLE CLAMP	2
03-4	HSF.S-M8x30-8.8-DIN-1	SOCKET COUNTERSUNK HEAD SCREW	4
03-5	90GB-030900F	CLIP	1
03-6	120GB-030100	BACK PLATE	1
03-7	FN.W8-DIN-1	WASHER	4
03-8	HSPG.W8-DIN-1	SPRING WASHER,TANG ENDS	8
03-9	FN.B-M8x20-8.8-DIN-1	BOLT	5
03-10	W02-B31	V- BELT	1
03-11	947-08101D	BELT GUARD	1
03-12	947-08002	BRACKET	1
03-13	WOD.W8-GB-1	WASHER	3
03-14	947-000017	LOCK NUT	4
03-15	FN.W5-DIN-1	WASHER	4
03-16	FN.B-M5x12-8.8-DIN-1	BOLT	4
03-17	FN.B-M8x30-8.8-DIN-1	BOLT	1
03-18	100G-030200	BRACKET 1	1
03-19	FN.N-M8-DIN-1	NUT	1
03-20	FN.B-M10x45-8.8-DIN-1	BOLT	5
03-21	HSPG.W10-DIN-1	SPRING WASHER,TANG ENDS	8
03-22	WOD.W10-GB-1	WASHER	4
03-23	W05-GX270UT-SWS4	ENGINE	1
03-24	Key.B-7x7x32	KEY	1
03-25	120GB-030300	BUSH, PTO	1
03-26	TOL1200-0400A	SHAFT	1
03-27	W01-6007ZZ	BEARING	1
03-28	TOL-947-0100	CLUTCH HOUSING	1
03-29	TOL-947-3525	BUSH	1
03-30	TOL-947-0300	CLUTCH BLOCK	4
03-31	947-000030-1200	SPRING	1
03-32	FHSS.S-M8x12-GB-3	GRUB SCREW	2
03-33	TOL-947-0200	CLUTCH PLATE	1
03-34	120GB-030400	END CAP	1
03-35	120GB-030200E	LIFTING HANDLE	1
03-36	FN.B-M10x30-8.8-DIN-1	BOLT	4
03-37	FN.W10-DIN-1	WASHER	8
03-38	FN.N-M10-DIN-1	NUT	4



# EWT120H-04 OPERATION HANDLE ASSY



## EWT120H-04 OPERATION HANDLE ASSY

NO.	PART NO.	PART DESCRIPTION	QTY
04-1	120GB-090100Q	HANDLE BOTTOM,QUICK PITCH	1
04-2	100G-010005	WHEEL BLOCK	1
04-3	100G-010004	WHEEL	1
04-4	SC.PIN-8x32	SPRING PIN	1
04-5	FN.B-M10x35-8.8-DIN-1	BOLT	2
04-6	HSPG.W10-DIN-1	SPRING WASHER,TANG ENDS	2
04-7	HS.B-M5x8-8.8-GB-1	SCREW	4
04-8	100GBII-000003	SPRING CLIP 2	1
04-9	100GBII-000001	SPRING CLIP 1	1
04-10	100GBII-000002	LIFTING TUBE	1
04-11	SH.A-M12x40	GRIP BALL	1
04-12	947-99947	BAR	1
04-13	SC.PIN-6x30	SPRING PIN	1
04-14	947-06606	SCREWD-TOMMY BAR	1
04-15	FN.B-M8x25-8.8-DIN-1	BOLT	2
04-16	FN.W8-DIN-1	WASHER	4
04-17	947-99991	ADJUSTER RING	1
04-18	IN.N-M8-DIN-1	LOCK NUT	2
04-19	947-99992	QUICK PITCH INSERT	1
04-20	FN.N-M6-DIN-1	NUT	2
04-21	120GB-000010Q	DEPTH CONTROL CABLE ASSY	1
04-22	SC.PIN-6x20	SPRING PIN	1
04-23	947-99994	CABLE MOUNT	1
04-24	947-99993	PIVOT SHAFT	1
04-25	SC.PIN-6x25	SPRING PIN	3
04-26	947-99921	HANDLE COVER	1
04-27	947-05901	PIN QUICK PITCH	1
04-28	19.0.033	SPRING	1
04-29	CS.RG8	EXTERNAL CIRCLIP	1
04-30	947-05902	CLEVIS	1
04-31	21.0.109	ADJUSTER PIN	1
04-32	947-06300	MECHANISM FORK	1
04-33	100G-010001	HANDLE COVER	2
04-34	120GB-090200E	HANDLEBAR	1
04-35	947-99998	HANDLE FOAM	1
04-36	120GB-000004	HANDLE FABRIC	1
04-37	FN.B-M5x12-8.8-DIN-1	BOLT	2
04-38	SPG.W5-DIN-1	SPRING WASHER	2
04-39	100G-010101	CUTOUT SWITCH SHELL	1
04-40	100G-010103	CUTOUT SWITCH LEVER	1

04-41	100G-010104	CUTOUT SWITCH BUSH	1
04-42	100G-010102	CUTOUT COVER	1
04-43	F.S-M3x30-DIN-1	COUNTERSUNK HEAD SCREW	1
04-44	100G-010107	CUTOUT SWITCH REED	1
04-45	100G-010105	CUTOUT SWITCH OUTLET	1
04-46	100G-010106	CUTOUT SWITCH WASHER	1
04-47	FN.W3-DIN-2	WASHER	1
04-48	FN.N-M3-DIN-2	NUT	2
04-49	F.S-M4x25-DIN-1	COUNTERSUNK HEAD SCREW	3
04-50	90GB-000013	WIRE	1
04-51	FN.B-M6x20-8.8-DIN-2	BOLT	2
04-52	HSPG.W6-DIN-2	SPRING WASHER,TANG ENDS	2
04-53	HC.N-M6-DIN-2	CAP NUT	2
04-54	HC.N-M10-DIN-2	CAP NUT	1
04-55	FNL.N-M10-DIN-2	HEXAGON THIN NUT	1
04-56	FN.W10-DIN-2	WASHER	2
04-57	70ND-060000	THROTTLE LEVER	1
04-58	FHSS.S-M6x8-GB-3	SOCKET SCREW WITH FLAT HEAD	1
04-59	HC.N-M8-DIN-2	CAP NUT	1
04-60	FNL.N-M8-DIN-2	HEXAGON THIN NUT	2
04-61	FHSS.S-M8x20-GB-3	SOCKET SCREW WITH FLAT HEAD	1
04-62	70ND-060001	THROTTLE BODY	1
04-63	70ND-060003	BOLT	1
04-64	70ND-060002	THROTTLE GEAR	1
04-65	W04-45x3	O-RING	1
04-66	70ND-060004	SLIDER	1
04-67	W06-S04-L1420x1620	THROTTLE CABLE	1
04-68	70ND-010018	THROTTLE LEVER ASSY	1