



# **EVC70WH**

## **VIBRATORY PLATE COMPACTOR**

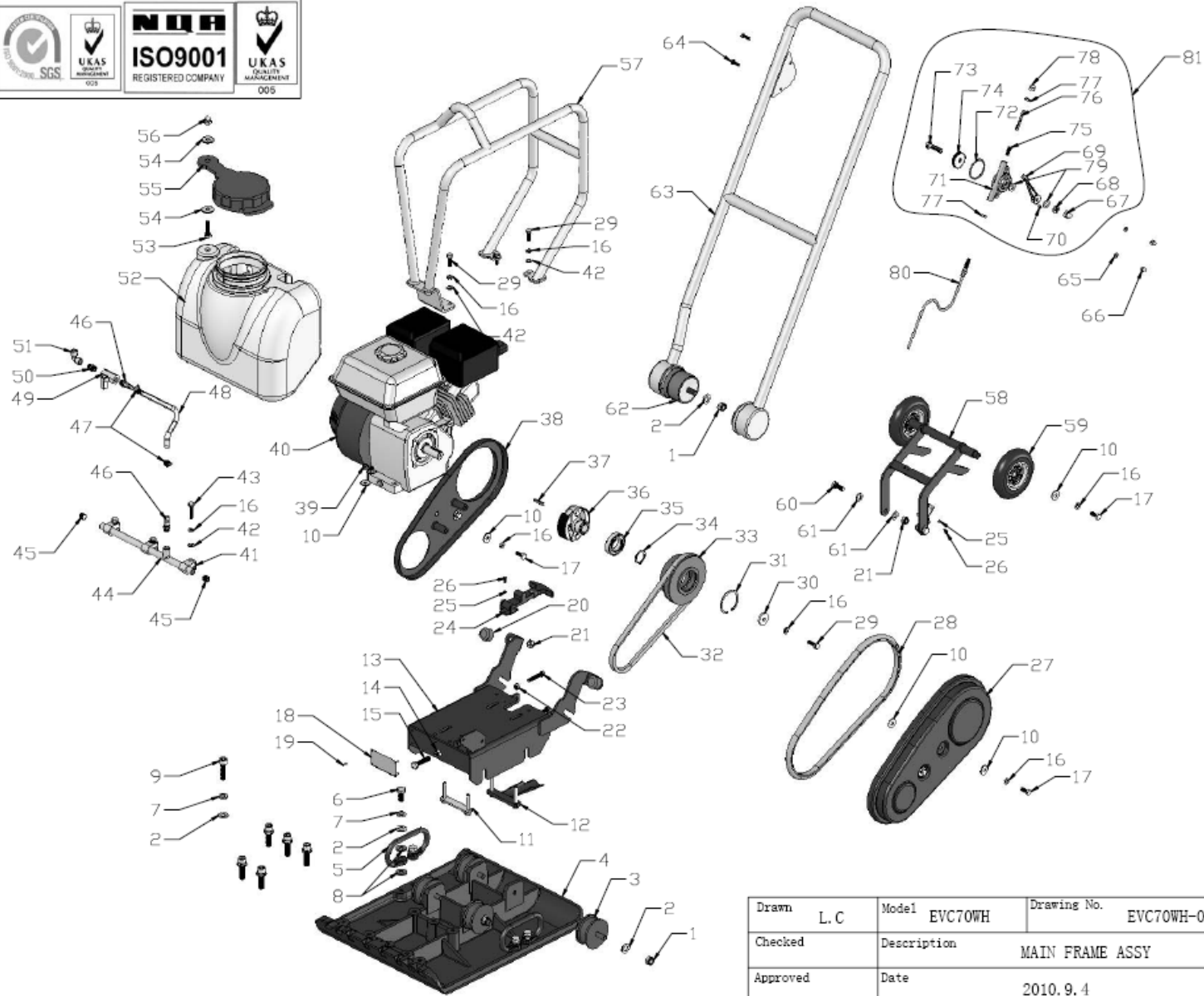
### **PARTS MANUAL**

#### **The ESI Team at your service**

<b>Roger Euliss – <a href="mailto:rogere@theESIchoice.com">rogere@theESIchoice.com</a></b>	<b>TF: 866-648-7101 x 101; Cell: 310-433-2355</b>
<b>Garry Haferbier – <a href="mailto:garryh@theESIchoice.com">garryh@theESIchoice.com</a></b>	<b>TF: 866-648-7101 x 104; Cell: 609-233-9671</b>
<b>Poonam Kapila – <a href="mailto:poonamk@theESIchoice.com">poonamk@theESIchoice.com</a></b>	<b>TF: 866-648-7101 x 102; Cell: 310-502-7721</b>
<b>Jeremy Willis - <a href="mailto:Jeremy.Willis@alleneng.com">Jeremy.Willis@alleneng.com</a></b>	<b>TF: 800-643-0095 or 870-236-3700 x 148</b>
<b>Sales Information – <a href="mailto:Sales@theESIchoice.com">Sales@theESIchoice.com</a></b>	<b>TF: 866-648-7101 x 103</b>
<b>Orders – <a href="mailto:Orders@theESIchoice.com">Orders@theESIchoice.com</a></b>	<b>TF: 866-648-7101 x 103</b>
<b>Accounts Receivable – <a href="mailto:KDavis@theESIchoic.com">KDavis@theESIchoic.com</a></b>	<b>TF: 866-648-7101 x 105</b>

#### **Equipment Synergy International, LLC**

P.O. Box 1902 (7422 Rock Hollow Lane) Midland, Michigan 48641 (48642)  
Toll Free: 866.648.7101 Fax: 336.310.1177  
web: [www.theESIchoice.com](http://www.theESIchoice.com)



Drawn	L. C	Model	EVC70WH	Drawing No.	EVC70WH-01
Checked		Description	MAIN FRAME ASSY		
Approved		Date	2010.9.4		

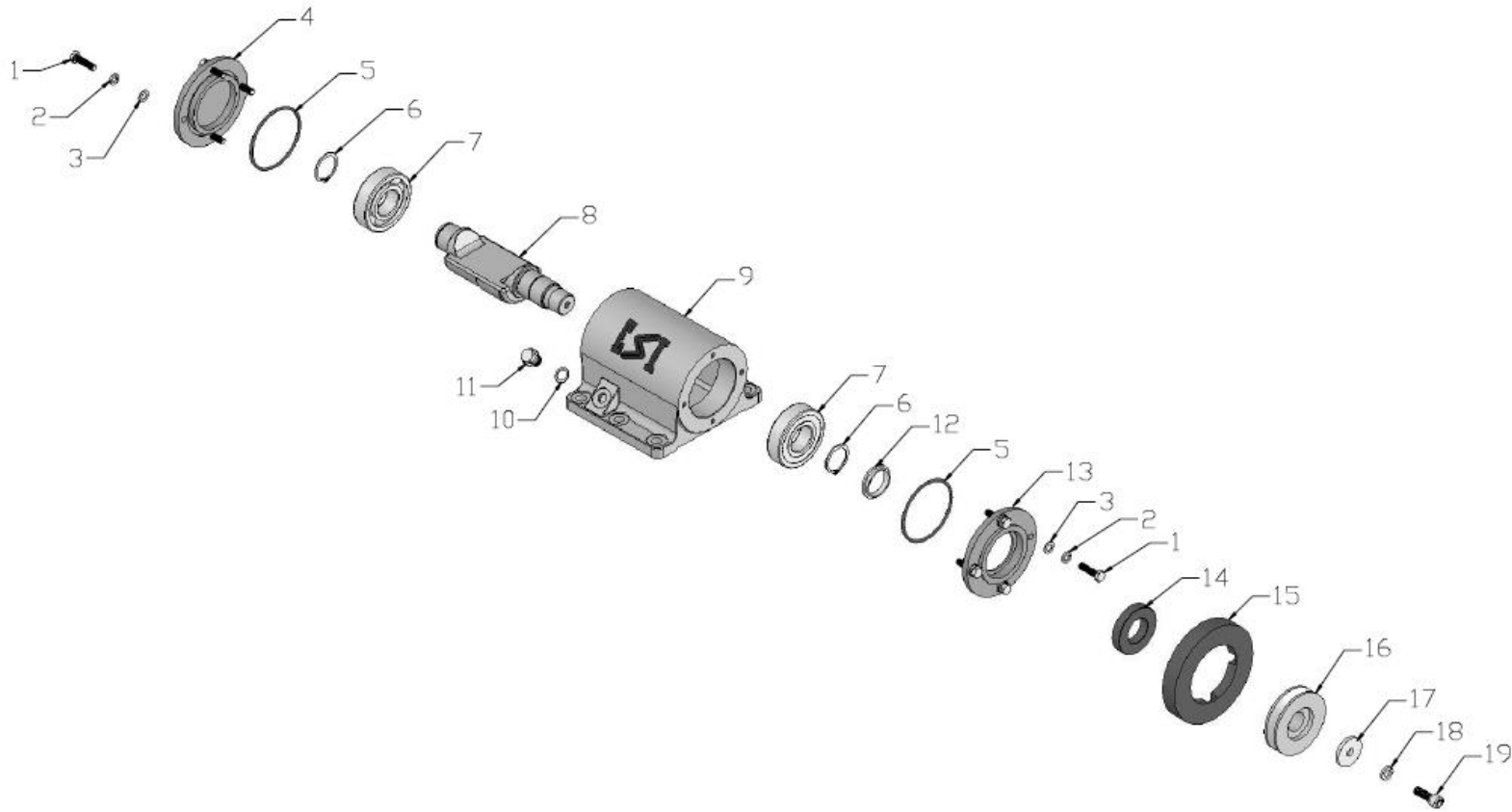
## EVC70WH-01 MAIN FRAME ASSY

NO.	PART NO.	PART DESCRIPTION	QTY
01-1	IN.N-M12-DIN-1	LOCK NUT	6
01-2	FN.W12-DIN-1	WASHER	16
01-3	60III-060100	CUSHION	4
01-4	60W-010100	BASE PLATE	1
01-5	90P-010100	HANDLE	2
01-6	FN.B-M12x25-8.8-DIN-1	BOLT	4
01-7	HSPG.W12-DIN-1	SPRING WASHER,TANG ENDS	10
01-8	90P-010600	RUBBER WASHER	8
01-9	HS.B-M12x45-12.9-DIN-1	SCREW	6
01-10	WOD.W8-GB-1	WASHER	12
01-11	60-060200	BOLT	1
01-12	90P-031000	FIX ENGINE BOLT	1
01-13	60W-020100	ENGINE BASE	1
01-14	FN.N-M10-DIN-1	NUT	1
01-15	FN.B-M10x45-8.8-DIN-1	BOLT	1
01-16	HSPG.W8-DIN-1	SPRING WASHER,TANG ENDS	22
01-17	FN.B-M8x20-8.8-DIN-1	BOLT	6
01-18	D4-MP-E	NAMEPLATE	1
01-19	K.RVT-3.2x11	RIVET	4
01-20	80-0408	CUSHION	2
01-21	IN.N-M10-DIN-1	LOCK NUT	4
01-22	FN.N-M8-DIN-1	NUT	2
01-23	FN.B-M8x45-8.8-DIN-1	BOLT	2
01-24	500S-010505	BUCKLE	1
01-25	SPG.W5-DIN-1	SPRING WASHER	4
01-26	FN.B-M5x10-8.8-DIN-1	BOLT	4
01-27	60W-060200	OUTER BELT GUARD	1
01-28	60W-060300	SEAL	1
01-29	FN.B-M8x25-8.8-DIN-1	BOLT	5
01-30	80-0319	WASHER	1
01-31	CH.RG55	INTERNAL CIRCLIP	1
01-32	W02-A31	V-BELT	1
01-33	40-0318	CLUTCH PULLEY	1
01-34	CS.RG30	EXTERNAL CIRCLIP	1
01-35	W01-6006ZZ-J	BEARING	1
01-36	80-0500A	CENTRIFUGAL CLUTCH	1
01-37	Key.C-5x5x32	KEY	1
01-38	60W-060100	INNER BELT GUARD	1
01-39	IN.N-M8-DIN-1	LOCK NUT	4
01-40	W05-GX160UT1-SWX2	ENGINE	1
01-41	90P-010901	HOOP	3
01-42	FN.W8-DIN-1	WASHER	15
01-43	FN.B-M8x35-8.8-DIN-1	BOLT	5
01-44	60W-010800	SPRINKLING PIPE	1
01-45	HSOS.B-ZG1/4	HEXAGONAL SOCKET HEAD PLUG	2
01-46	CPT-BT-1 / 4-10	HOSE NIPPLE	2

## EVC70WH-01 MAIN FRAME ASSY

NO.	PART NO.	PART DESCRIPTION	QTY
01-47	90P-070006	HOSE CLAMP	2
01-48	60W-010700	HOSE	1
01-49	QF-1 / 4-NI	VALVE	1
01-50	CPT-BT-1 / 4	JOINT	1
01-51	CPT-JT-ZG1 / 4	90° ELBOW	1
01-52	90P-070000A	WATER TANK	1
01-53	FN.B-M10x35-8.8-DIN-1	BOLT	1
01-54	WOD.W10-GB-1	WASHER	2
01-55	650-070200	WATER TANK CAP	1
01-56	HC.N-M10-DIN-1	CAP NUT	1
01-57	60W-050100A	WATER TANK FRAME	1
01-58	60W-040100	WHEEL FRAME	1
01-59	60W-040200	WHEEL	2
01-60	FN.B-M10x25-8.8-DIN-1	BOLT	2
01-61	FN.W10-DIN-1	WASHER	4
01-62	40-060300	HANDRAIL ABSORBER	2
01-63	70W-030100	HANDRAIL	1
01-64	FN.B-M6x20-8.8-DIN-2	BOLT	2
01-65	HSPG.W6-DIN-2	SPRING WASHER,TANG ENDS	2
01-66	HC.N-M6-DIN-2	CAP NUT	2
01-67	HC.N-M10-DIN-2	CAP NUT	1
01-68	FNL.N-M10-DIN-2	HEXAGON THIN NUT	1
01-69	70ND-060000	THROTTLE LEVER	1
01-70	FHSS.S-M6x8-GB-3	SOCKET SCREW WITH FLAT HEAD	1
01-71	70ND-060001	THROTTLE BODY	1
01-72	W04-45x3	O-RING	1
01-73	70ND-060003	BOLT	1
01-74	70ND-060002	THROTTLE GEAR	1
01-75	FHSS.S-M8x20-GB-3	SOCKET SCREW WITH FLAT HEAD	1
01-76	70ND-060004	SLIDER	1
01-77	FNL.N-M8-DIN-2	HEXAGON THIN NUT	2
01-78	HC.N-M8-DIN-2	CAP NUT	1
01-79	FN.W10-DIN-2	WASHER	2
01-80	W06-S04-L800x1000	THROTTLE CABLE	1
01-81	70ND-010018	THROTTLE LEVER ASSY	1

# EVC70WH-02 EXCITER HOUSING ASSY



Drawn	L. C	Model	EVC70WH	Drawing No.	EVC70WH-02
Checked		Description	EXCITER HOUSING ASSY		
Approved		Date	2010. 9. 4		

## EVC70WH-02 EXCITER HOUSING ASSY

NO.	PART NO.	PART DESCRIPTION	QTY
02-1	FN.B-M8x30-8.8-DIN-1	BOLT	8
02-2	HSPG.W8-DIN-1	SPRING WASHER,TANG ENDS	8
02-3	FN.W8-DIN-1	WASHER	8
02-4	60-010400	CLOSE COVER	1
02-5	W04-80x3.5	O RING	2
02-6	CS.RG35	EXTERNAL CIRCLIP	2
02-7	W01-6307Z-J	BEARING	2
02-8	60W-010200	EXCITER SHAFT	1
02-9	60-010200E	EXCITER HOUSING	1
02-10	GB97.1-M14	CUPRUM WASHER	1
02-11	HHOS.B-M14x1.5	HEXAGON HEAD PLUG	1
02-12	60-010700	BUSH	1
02-13	60-010300	COVER	1
02-14	W03-65x35x12	OIL SEAL	1
02-15	60III-010500	COVER GUARD	1
02-16	40-060200	EXCITER PULLEY	1
02-17	60-060301	WASHER	1
02-18	HSPG.W10-DIN-1	SPRING WASHER,TANG ENDS	1
02-19	90B-010800	VENT SCREW	1