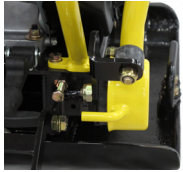




# PLATE COMPACTOR - EVC70WH

# EVC70WH

The everyday machine to cover all your bases. Select the 70H to throw on your truck for footings, sub-base, paving stones, and most of your asphalt compaction needs.



**Anti-vibration handle with padded grip** protects the top and sides of the engine and provides the operator comfort with the replaceable padded handle.



**Wraparound steel engine protection** with integral lifting bale, gives the engine the protection it needs and offers a secure lifting point for transportation.



**Honda GX160**, a proven, dependable power source



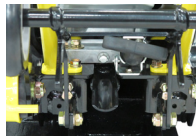
**Large capacity water tank** to use with asphalt compaction applications



**Attached swing away wheel kit**, the ultimate in convenience for jobsite transportation



**Heavy duty long lasting cast steel base plate** long-life smooth base plate for a quality finish



**External drain for the engine oil** simplifies servicing by allowing a clean and easy way to drain engine oil



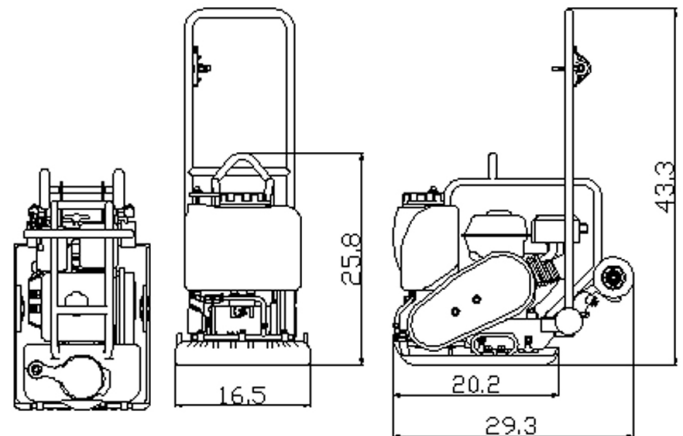
**Throttle assembly** is a heavy-duty rack and pinion design made out of cast aluminum, no stamped metal parts to bend on you while you operate the throttle.



**Lifting handles** located on the base plate for easy loading and unloading

## Technical Data

DESCRIPTION	EVC70WH
Dimension (LxWxH) in (mm)	29.3 x 16.5 x 43.3 (745 x 420 x 1,099)
Operating Weight lbs (kg)	161 (73)
Plate Size (LxW) in (mm)	20.4 x 16.5 (520 x 420)
Working Speed mph (km/h)	0.75 - 0.87 (1.2 - 1.4)
Vibration Frequency v.p.m. (Hz)	5,820 (97)
Centrifugal Force lbs (kg)	2,630 (1.193)
Compacted Area ft <sup>2</sup> /h (m <sup>2</sup> /h)	6,243 - 6,997 (580 - 650)
Max. Gradeability - °	20
Engine	HONDA GX160
Engine Type	4 - Stroke Gasoline
Max. Power Output kW (Hp)	GX160 @ 3.6 (4.8)



**Equipment Synergy International**  
 101 Gannaway Drive , Suite # 3  
 P.O. Box 997  
 Jamestown, North Carolina 27282  
 Phone: 866.648.7101  
 Fax: 336.310.1177  
 Email: sales@theESIchoice.com  
 www.theESIchoice.com