



EVC60H

VIBRATORY PLATE COMPACTOR

PARTS MANUAL

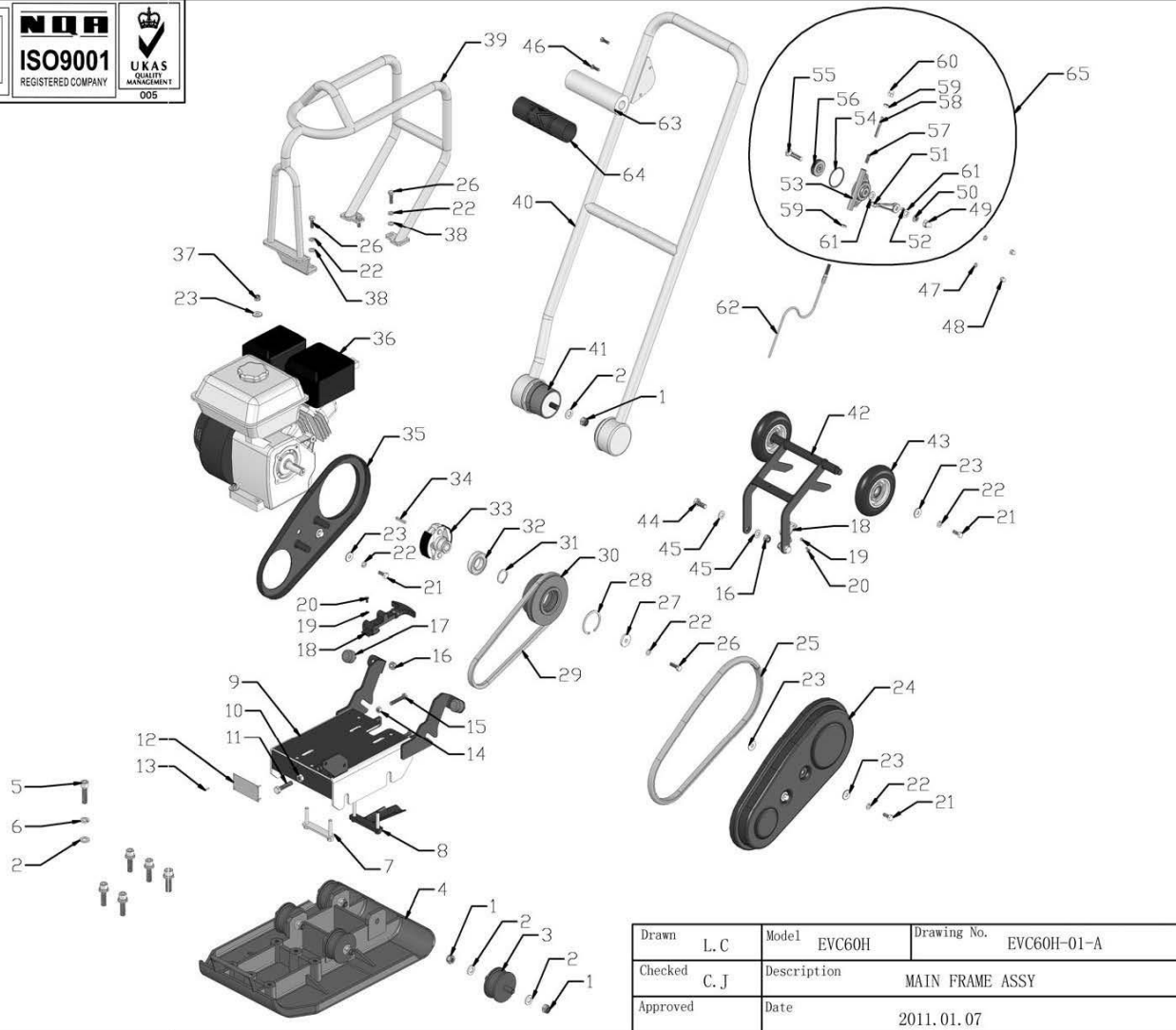
The ESI Team at your service

Roger Euliss – rogere@theESIchoice.com	TF: 866-648-7101 x 101; Cell: 310-433-2355
Garry Haferbier – garryh@theESIchoice.com	TF: 866-648-7101 x 104; Cell: 609-233-9671
Poonam Kapila – poonamk@theESIchoice.com	TF: 866-648-7101 x 102; Cell: 310-502-7721
Jeremy Willis - Jeremy.Willis@alleneng.com	TF: 800-643-0095 or 870-236-3700 x 148
Sales Information – Sales@theESIchoice.com	TF: 866-648-7101 x 103
Orders – Orders@theESIchoice.com	TF: 866-648-7101 x 103
Accounts Receivable – KDavis@theESIchoic.com	TF: 866-648-7101 x 105

Equipment Synergy International, LLC

P.O. Box 1902 (7422 Rock Hollow Lane) Midland, Michigan 48641 (48642)
Toll Free: 866.648.7101 Fax: 336.310.1177
web: www.theESIchoice.com

EVC60H-01-A MAIN FRAME ASSY.



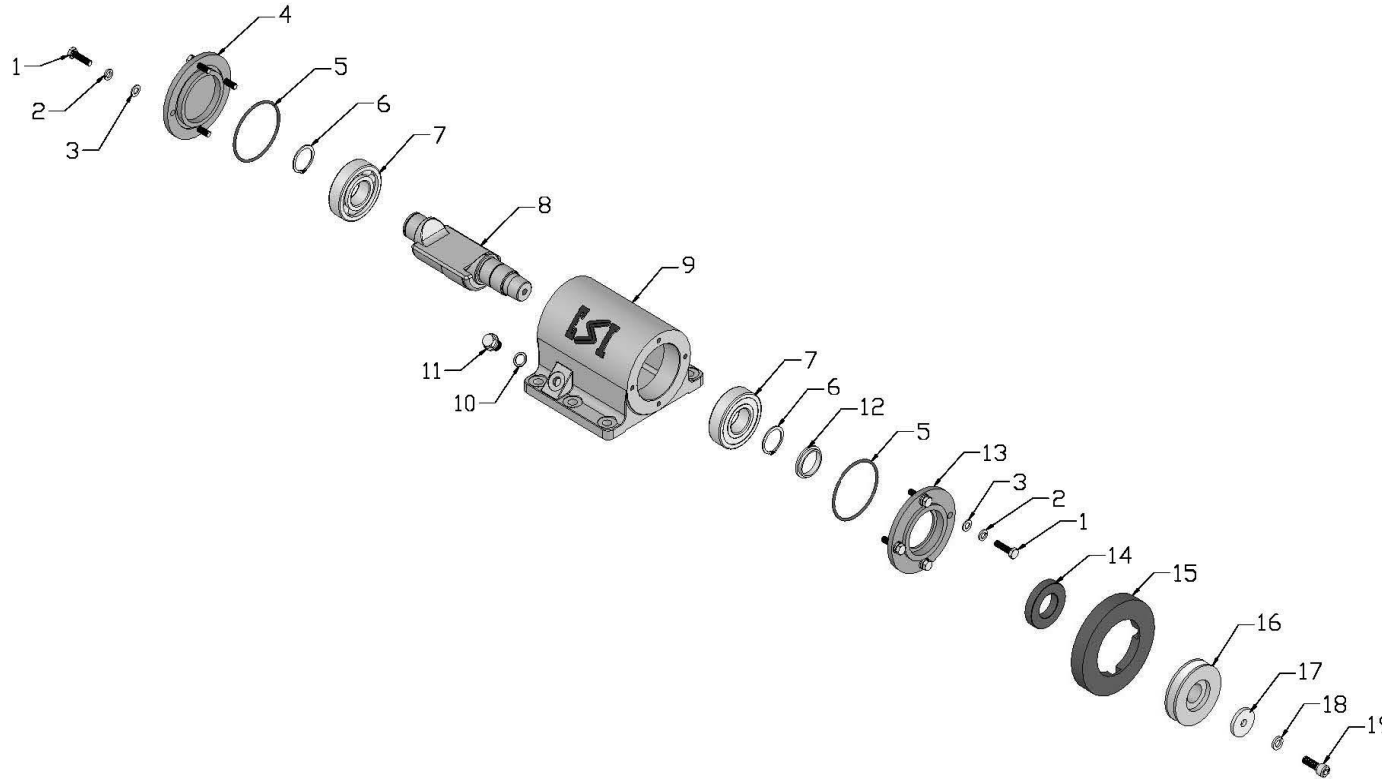
Drawn	L. C	Model	EVC60H	Drawing No.	EVC60H-01-A
Checked	C. J	Description	MAIN FRAME ASSY		
Approved		Date	2011. 01. 07		

EVC60H-01-A MAIN FRAME ASSY.

NO.	PART NO.	PART DESCRIPTION	QTY	UNIT PRICE USD 2015
01-1	IN.N-M12-DIN-1	LOCK NUT	10	US\$0.10
01-2	FN.W12-DIN-1	WASHER	16	US\$0.02
01-3	EVC40H-WOD.W8-GB-1	CUSHION	4	US\$8.28
01-4	60-020000	BASE PLATE	1	US\$72.69
01-5	HS.B-M12x45-12.9-GB-3	SCREW	6	US\$0.33
01-6	HSPG.W12-DIN-1	SPRING WASHER,TANG ENDS	6	US\$0.03
01-7	60-060200	BOLT	1	US\$1.90
01-8	90P-031000	FIX ENGINE BOLT	1	US\$0.35
01-9	60W-020100	ENGINE BASE	1	US\$39.14
01-10	FN.N-M10-DIN-1	NUT	1	US\$0.03
01-11	FN.B-M10x45-8.8-DIN-1	BOLT	1	US\$0.07
01-12	D4-MP-E	NAMEPLATE	1	US\$0.42
01-13	K.RVT-3.2x11	RIVET	4	US\$0.64
01-14	FN.N-M8-DIN-1	NUT	2	US\$0.02
01-15	FN.B-M8x45-8.8-DIN-1	BOLT	2	US\$0.06
01-16	IN.N-M10-DIN-1	LOCK NUT	4	US\$0.05
01-17	80-0408	CUSHION	2	US\$2.24
01-18	500S-010505	BUCKLE	1	US\$2.68
01-19	SPG.W5-DIN-1	SPRING WASHER	4	US\$0.02
01-20	FN.B-M5x10-8.8-DIN-1	BOLT	4	US\$0.04
01-21	FN.B-M8x20-8.8-DIN-1	BOLT	6	US\$0.03
01-22	HSPG.W8-DIN-1	SPRING WASHER,TANG ENDS	11	US\$0.02
01-23	WOD.W8-GB-1	WASHER	12	US\$0.03
01-24	60W-060200	OUTER BELT GUARD	1	US\$8.27
01-25	60W-060300	SEAL	1	US\$2.05
01-26	FN.B-M8x25-8.8-DIN-1	BOLT	5	US\$0.04
01-27	80-0319	WASHER	1	US\$0.15
01-28	CH.RG55	INTERNAL CIRCLIP	1	US\$0.34
01-29	W02-A31	V-BELT	1	US\$2.57
01-30	90P-031800	CLUTCH PULLEY	1	
01-31	CS.RG30	EXTERNAL CIRCLIP	1	US\$0.12
01-32	W01-6006ZZ-J	BEARING	1	US\$3.69
01-33	80-0500C	CENTRIFUGAL CLUTCH	1	US\$39.25
01-34	Key.C-5x5x32	KEY	1	US\$1.17
01-35	60W-060100	INNER BELT GUARD	1	US\$8.06
01-36	W05-GX120UT1-SX4	ENGINE	1	
01-37	IN.N-M8-DIN-1	LOCK NUT	4	US\$0.02
01-38	FN.W8-DIN-1	WASHER	4	US\$0.02
01-39	60W-050100E	WATER TANK FRAME	1	US\$16.16
01-40	60W-030100	HANDRAIL	1	US\$24.59

01-41	40-060300	HANDRAIL ABSORBER	2	US\$3.38
01-42	60W-040100	WHEEL FRAME	1	US\$9.01
01-43	60W-040200	WHEEL	2	US\$3.81
01-44	FN.B-M10x25-8.8-DIN-1	BOLT	2	US\$0.06
01-45	FN.W10-DIN-1	WASHER	4	US\$0.02
01-46	FN.B-M6x20-8.8-DIN-2	BOLT	2	US\$0.02
01-47	HSPG.W6-DIN-2	SPRING WASHER,TANG ENDS	2	US\$0.02
01-48	HC.N-M6-DIN-2	CAP NUT	2	US\$0.03
01-49	HC.N-M10-DIN-2	CAP NUT	1	US\$0.07
01-50	FNL.N-M10-DIN-2	HEXAGON THIN NUT	1	US\$0.03
01-51	70ND-060000	THROTTLE LEVER	1	US\$5.73
01-52	FHSS.S-M6x8-GB-3	SOCKET SCREW WITH FLAT HEAD	1	US\$0.03
01-53	70ND-060001	THROTTLE BODY	1	US\$7.95
01-54	W04-45x3	O-RING	1	US\$1.17
01-55	70ND-060003	BOLT	1	US\$3.18
01-56	70ND-060002	THROTTLE GEAR	1	US\$6.58
01-57	FHSS.S-M8x20-GB-3	SOCKET SCREW WITH FLAT HEAD	1	US\$0.05
01-58	70ND-060004	SLIDER	1	US\$1.91
01-59	FNL.N-M8-DIN-2	HEXAGON THIN NUT	2	US\$0.02
01-60	HC.N-M8-DIN-2	CAP NUT	1	US\$0.04
01-61	FN.W10-DIN-2	WASHER	2	US\$0.02
01-62	W06-S04-L800x1000	THROTTLE CABLE	1	US\$11.18
01-63	947-99998	HANDLE FOAM	1	
01-64	120GB-000004	HANDLE FABRIC	1	
01-65	70ND-010018	THROTTLE LEVER ASSY	1	US\$26.72

EVC60H-02 EXCITER HOUSING ASSY.

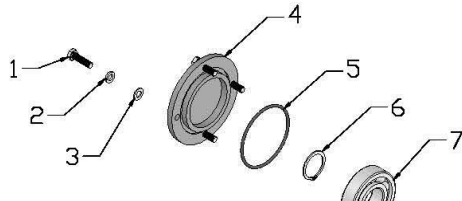


Drawn	L. C	Model	EVC60H	Drawing No.	EVC60H-02
Checked		Description	EXCITER HOUSING ASSY		
Approved		Date	2010. 9. 4		

EVC60H-02 EXCITER HOUSING ASSY.

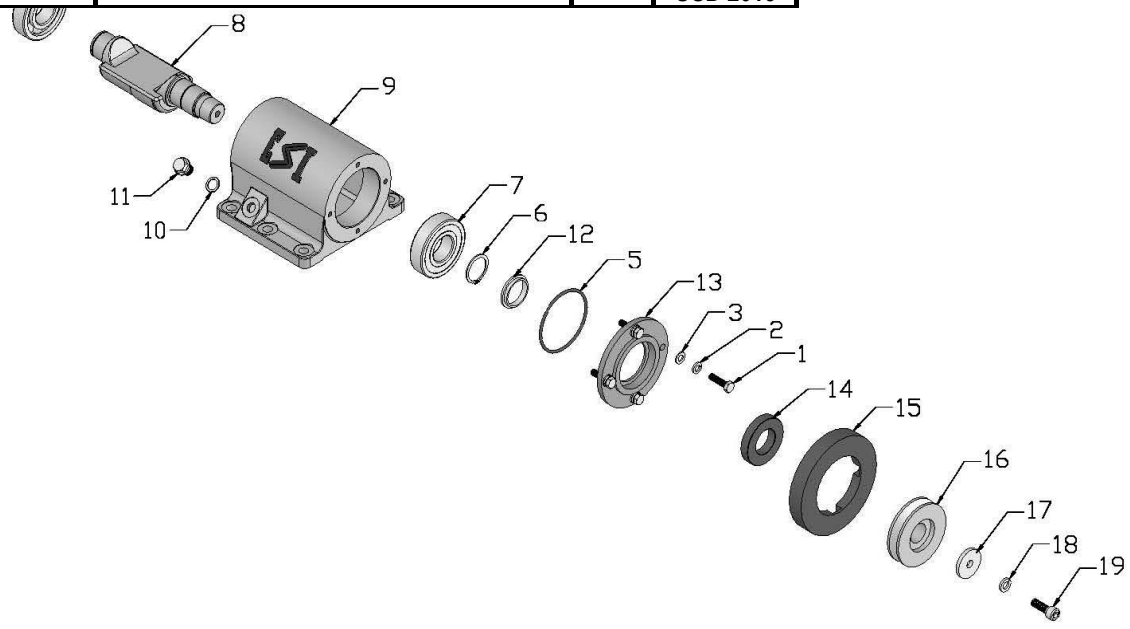
NO.	PART NO.	PART DESCRIPTION	QTY	UNIT PRICE USD 2015
02-1	EVC60H-FN.B-M8x30-8.8-DIN-1	BOLT	8	US\$0.04
02-2	EVC60H-HSPG.W8-DIN-1	SPRING WASHER,TANG ENDS	8	US\$0.02
02-3	EVC40H-FN.W8-DIN-1	WASHER	8	US\$0.02
02-4	EVC60H-60-010400	CLOSE COVER	1	US\$8.94
02-5	EVC60H-W04-80x3.5	O RING	2	US\$1.17
02-6	EVC60H-CS.RG35	EXTERNAL CIRCLIP	2	US\$0.10
02-7	EVC60H-W01-6307Z-J	BEARING	2	US\$10.84
02-8	EVC60H-60W-010200E	EXCITER SHAFT	1	
02-9	EVC60H-60-010200E	EXCITER HOUSING	1	US\$84.49
02-10	EVC60H-GB97.1-M14	CUPRUM WASHER	1	US\$0.10
02-11	EVC60H-HHOS.B-M14x1.5	HEXAGON HEAD PLUG	1	US\$0.40
02-12	EVC60H-60-010700	BUSH	1	US\$0.66
02-13	EVC60H-60-010300	COVER	1	US\$8.94
02-14	EVC60H-W03-65x35x12	OIL SEAL	1	US\$1.17
02-15	EVC60H-60III-010500	COVER GUARD	1	US\$3.91
02-16	EVC60H-40-060200	EXCITER PULLEY	1	US\$7.88
02-17	EVC60H-60-060301	WASHER	1	US\$0.56
02-18	EVC60H-HSPG.W10-DIN-1	SPRING WASHER,TANG ENDS	1	US\$0.02
02-19	EVC60H-90B-010800	VENT SCREW	1	US\$0.64

HOPPT123



EVC60H-02 EXCITER HOUSING ASSY.

NO.	PART NO.	PART DESCRIPTION	QTY	UNIT PRICE USD 2015
-----	----------	------------------	-----	------------------------



Drawn	L. C	Model	EVC60H	Drawing No.	EVC60H-02
Checked	Description EXCITER HOUSING ASSY				
Approved	Date 2010.9.4				