



EVC40H

VIBRATORY PLATE COMPACTOR PARTS MANUAL

The ESI Team at your service

Roger Euliss – rogere@theESlchoice.com	TF: 866-648-7101 x 101; Cell: 310-433-2355
Garry Haferbier – garryh@theESlchoice.com	TF: 866-648-7101 x 104; Cell: 609-233-9671
Poonam Kapila – poonamk@theESlchoice.com	TF: 866-648-7101 x 102; Cell: 310-502-7721
Jeremy Willis - Jeremy.Willis@alleneng.com	TF: 800-643-0095 or 870-236-3700 x 148
Sales Information – Sales@theESlchoice.com	TF: 866-648-7101 x 103
Orders – Orders@theESlchoice.com	TF: 866-648-7101 x 103
Accounts Receivable – KDavis@theESlchoic.com	TF: 866-648-7101 x 105

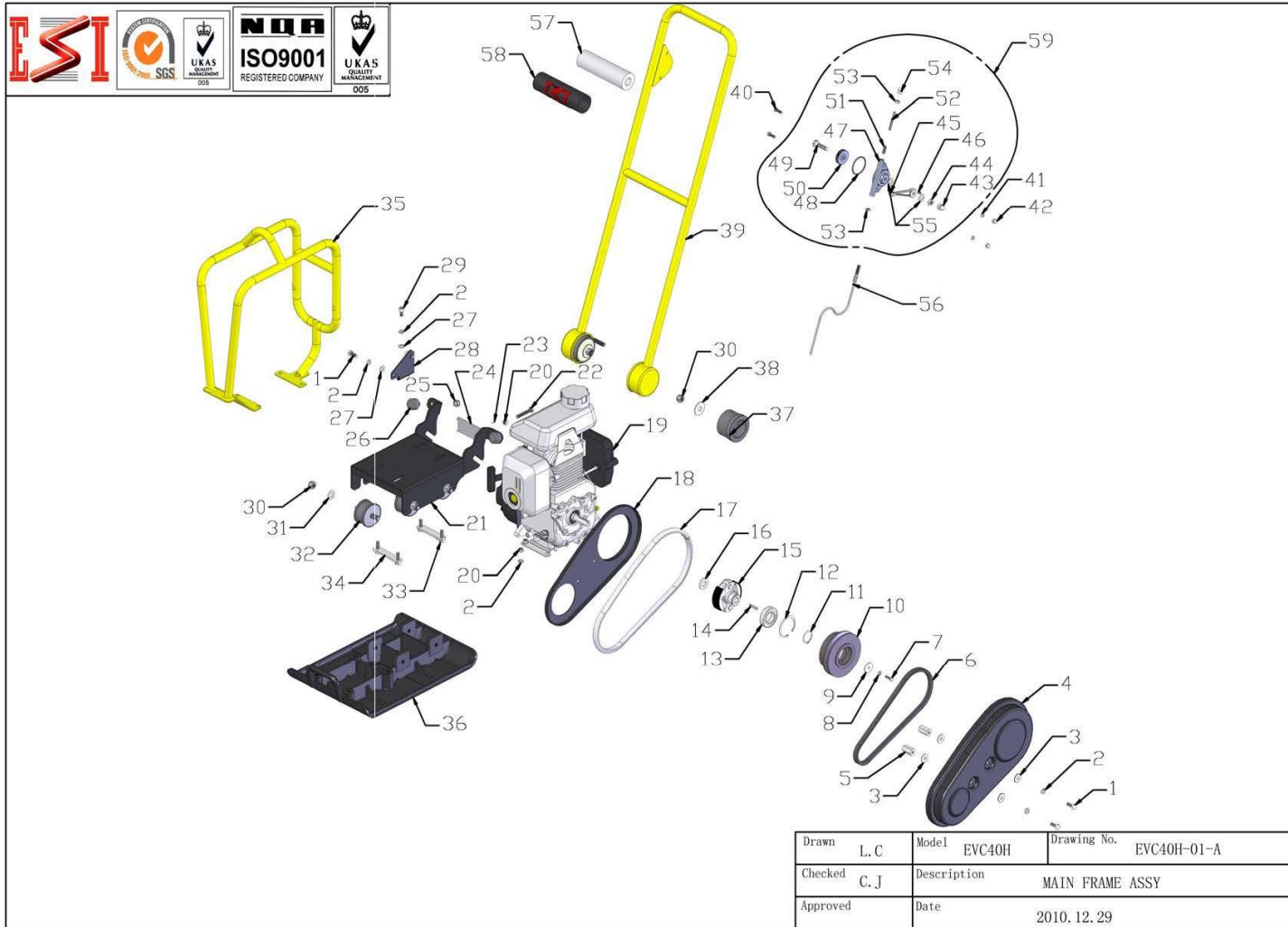
Equipment Synergy International, LLC

P.O. Box 1902 (7422 Rock Hollow Lane) Midland, Michigan 48641 (48642)

Toll Free: 866.648.7101 Fax: 336.310.1177

web: www.theESlchoice.com

EVC40H-01 MAIN FRAME ASSY.



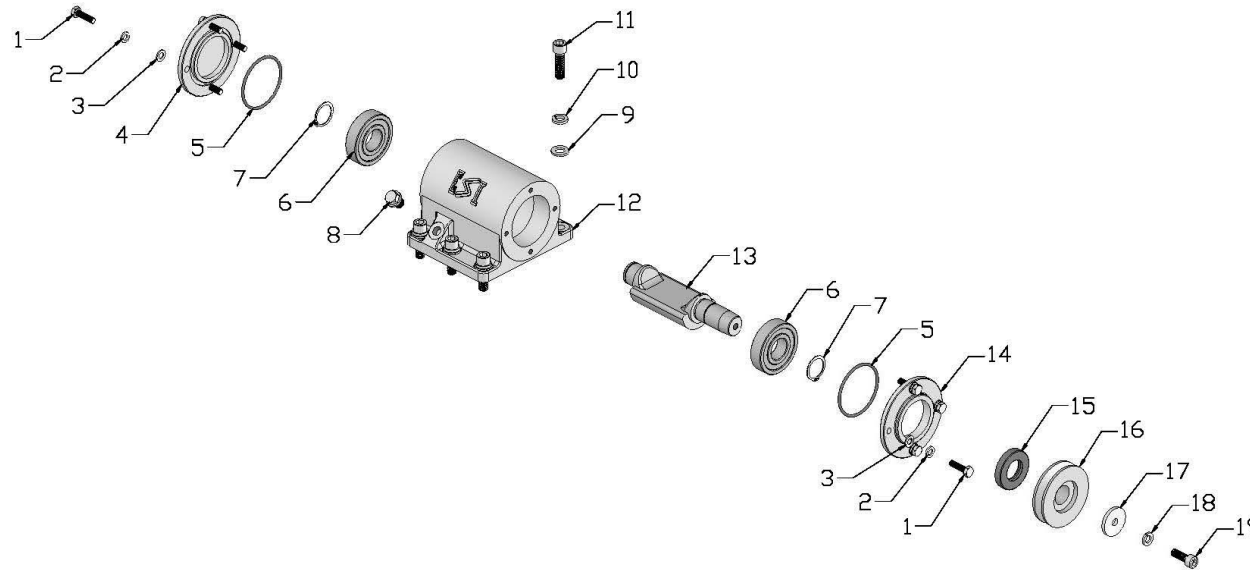
EVC40H-01 MAIN FRAME ASSY.

NO.	PART NO.	PART DESCRIPTION	QTY
01-1	EVC40H-FN.B-M8x20-8.8-DIN-1	BOLT	4
01-2	EVC40H-HSPG.W8-DIN-1	SPRING WASHER,TANG ENDS	10
01-3	EVC40H-WOD.W8-GB-1	WASHER	4
01-4	EVC40H-40-040000	OUTER BELT GUARD	1
01-5	EVC40H-40-040200	CONNECTION POLE	2
01-6	EVC40H-W02-A29	V-BELT	1
01-7	EVC40H-FN.B-M6x20-8.8-DIN-1	BOLT	1
01-8	EVC40H-HSPG.W6-DIN-1	SPRING WASHER,TANG ENDS	1
01-9	EVC40H-40-070200	GASKET	1
01-10	EVC40H-90P-031800	CLUTCH PULLEY	1
01-11	EVC40H-CS.RG30	EXTERNAL CIRCLIP	1
01-12	EVC40H-CH.RG55	INTERNAL CIRCLIP	1
01-13	EVC40H-W01-6006ZZ-J	BEARING	1
01-14	EVC40H-Key.A-5x5x30	KEY	1
01-15	EVC40H-80-0500D	CENTRIFUGAL CLUTCH	1
01-16	EVC40H-40-070100	GASKET	1
01-17	EVC40H-40-040103	SEAL	1
01-18	EVC40H-40-040100	INNER BELT GUARD	1
01-19	EVC40H-W05-GX100U-SE14	ENGINE	1
01-20	EVC40H-FN.N-M8-DIN-1	NUT	5
01-21	EVC40H-40-100000	BASE FRAME	1
01-22	EVC40H-FN.B-M8x50-8.8-DIN-1	BOLT	1
01-23	EVC40H-K.RVT-3.2x7.1	RIVET	4
01-24	EVC40H-D4-MP-E	NAMEPLATE	1
01-25	EVC40H-IN.N-M10-DIN-1	LOCK NUT	2
01-26	EVC40H-80-0408	CUSHION	2
01-27	EVC40H-FN.W8-DIN-1	WASHER	4
01-28	EVC40H-40-100400	BRACKET	1
01-29	EVC40H-HS.B-M8x16-8.8-GB-1	SCREW	2
01-30	EVC40H-IN.N-M12-DIN-1	LOCK NUT	6
01-31	EVC40H-FN.W12-DIN-1	WASHER	4
01-32	EVC40H-40-060100	RUBBER ABSORBER	4
01-33	EVC40H-40-030800	BOLT	1
01-34	EVC40H-40-030900	BOLT	1
01-35	EVC40H-40-040300	GUARD HOOK	1
01-36	EVC40H-40-020000	BASE PLATE	1
01-37	EVC40H-40-060300	HANDRAIL ABSORBER	2
01-38	EVC40H-WOD.W12-GB-1	WASHER	2
01-39	EVC40H-40-090000	HANDRAIL	1
01-40	EVC40H-FN.B-M6x20-8.8-DIN-2	BOLT	2
01-41	EVC40H-HSPG.W6-DIN-2	SPRING WASHER,TANG ENDS	2

EVC40H-01 MAIN FRAME ASSY.

NO.	PART NO.	PART DESCRIPTION	QTY
01-42	EVC40H-HC.N-M6-DIN-2	CAP NUT	2
01-43	EVC40H-HC.N-M10-DIN-2	CAP NUT	1
01-44	EVC40H-FNL.N-M10-DIN-2	HEXAGON THIN NUT	1
01-45	EVC40H-70ND-060000	THROTTLE LEVER	1
01-46	EVC40H-FHSS.S-M6x8-GB-3	SOCKET SCREW WITH FLAT HEAD	1
01-47	EVC40H-70ND-060001	THROTTLE BODY	1
01-48	EVC40H-W04-45x3	O-RING	1
01-49	EVC40H-70ND-060003	BOLT	1
01-50	EVC40H-70ND-060002	THROTTLE GEAR	1
01-51	EVC40H-FHSS.S-M8x20-GB-3	SOCKET SCREW WITH FLAT HEAD	1
01-52	EVC40H-70ND-060004	SLIDER	1
01-53	EVC40H-FNL.N-M8-DIN-2	HEXAGON THIN NUT	2
01-54	EVC40H-HC.N-M8-DIN-2	CAP NUT	1
01-55	EVC40H-FN.W10-DIN-2	WASHER	2
01-56	EVC40H-350-032600	THROTTLE CABLE	1
01-57	EVC40H-40-090500	HANDLE FOAM	1
01-58	EVC40H-40-090400	HANDLE FABRIC	1
01-57	EVC40H-70ND-010018	THROTTLE LEVER ASSY	1

EVC40H-02 EXCITER ASSY.



Drawn	L. C	Model	EVC40H	Drawing No.	EVC40H-02
Checked		Description	EXCITING ASSY		
Approved		Date	2010.9.3		

EVC40H-02 EXCITER ASSY.

NO.	PART NO.	PART DESCRIPTION	QTY
02-1	EVC40H-FN.B-M8x30-8.8-DIN-1	BOLT	8
02-2	EVC40H-HSPG.W8-DIN-1	SPRING WASHER,TANG ENDS	8
02-3	EVC40H-FN.W8-DIN-1	WASHER	8
02-4	EVC40H-40-010300	COVER	1
02-5	EVC40H-W04-72x3.5	O RING	2
02-6	EVC40H-W01-6306ZZ-J	BEARING	2
02-7	EVC40H-CS.RG30	EXTERNAL CIRCLIP	2
02-8	EVC40H-HHOS.B-M14x1.5	HEXAGON HEAD PLUG	1
02-9	EVC40H-FN.W12-DIN-1	WASHER	6
02-10	EVC40H-HSPG.W12-DIN-1	SPRING WASHER,TANG ENDS	6
02-11	EVC40H-HS.B-M12x40-12.9-GB-3	SCREW	6
02-12	EVC40H-40-010200E	EXCITER HOUSING	1
02-13	EVC40H-40-010100E	EXITING SHAFT	1
02-14	EVC40H-40-010400	COVER	1
02-15	EVC40H-W03-55x30x10	OIL SEAL	1
02-16	EVC40H-40-060200	EXCITER PULLEY	1
02-17	EVC40H-80-0303	PULLEY WASHER	1
02-18	EVC40H-HSPG.W10-DIN-1	SPRING WASHER,TANG ENDS	1
02-19	EVC40H-90B-010800	VENT SCREW	1