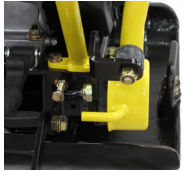


EVC40H

Quality cast iron base plate for long life and dependable service. Ideal to operate in tight areas to maneuver around obstructions such as pipes and for use in foundations.



Anti-vibration handle with padded grip protects the top and sides of the engine and provides the operator comfort with the replaceable padded handle.



Wraparound steel engine protection with integral lifting bale, gives the engine the protection it needs and offers a secure lifting point for transportation.



Honda GX100, a proven, dependable power source



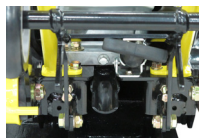
Heavy duty long lasting cast steel base plate long-life smooth base plate for a quality finish



Attached swing away wheel kit, the ultimate in convenience for jobsite transportation



Throttle assembly is a heavy-duty rack and pinion design made out of cast aluminum, no stamped metal parts to bend on you while you operate the throttle.



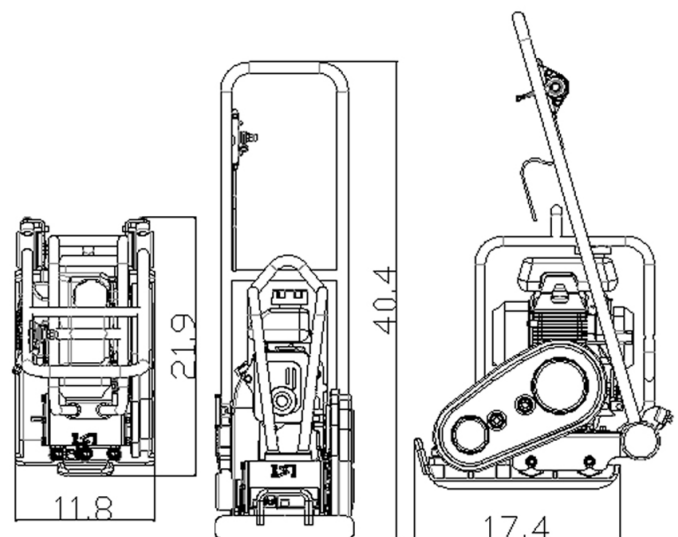
External drain for the engine oil simplifies servicing by allowing a clean and easy way to drain engine oil



Lifting handles located on the base plate for easy loading and unloading

Technical Data

DESCRIPTION	EVC40H
Dimension (LxWxH) in (mm)	21.9 x 12.2 x 40.4 (558 x 310 x 1,028)
Operating Weight lbs (kg)	106 (48)
Plate Size (LxW) in (mm)	17.4 x 11.8 (420 x 300)
Working Speed mph (km/h)	0.62 - 0.81 (1-13)
Vibration Frequency v.p.m. (Hz)	5,580 (93)
Centrifugal Force lbs (kg)	1461 (665)
Compacted Area ft ² /h (m ² /h)	3,229 - 3,875 (300 - 360)
Max. Gradeability - °	20
Engine	HONDA GX100
Engine Type	4 - Stroke Gasoline
Max. Power Output kW (Hp)	GX100 @ 1.5 (2)



Equipment Synergy International
 101 Gannaway Drive , Suite # 3
 P.O. Box 997
 Jamestown, North Carolina 27282
 Phone: 866.648.7101
 Fax: 336.310.1177
 Email: sales@theESchoice.com
 www.theESchoice.com