



ETR70H

TAMPING RAMMER

PARTS MANUAL

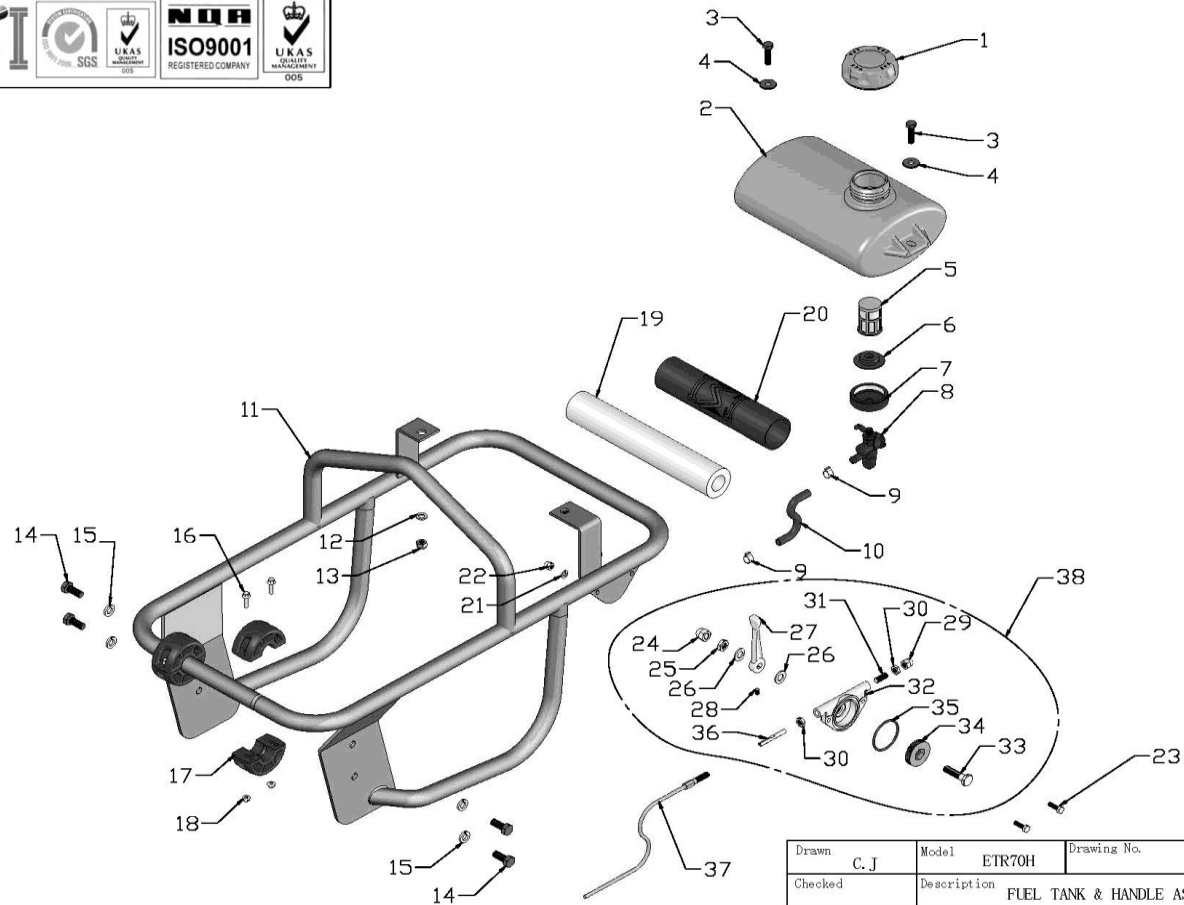
The ESI Team at your service

Roger Euliss – rogere@theESlchoice.com	TF: 866-648-7101 x 101; Cell: 310-433-2355
Garry Haferbier – garryh@theESlchoice.com	TF: 866-648-7101 x 104; Cell: 609-233-9671
Poonam Kapila – poonamk@theESlchoice.com	TF: 866-648-7101 x 102; Cell: 310-502-7721
Jeremy Willis - Jeremy.Willis@alleneng.com	TF: 800-643-0095 or 870-236-3700 x 148
Sales Information – Sales@theESlchoice.com	TF: 866-648-7101 x 103
Orders – Orders@theESlchoice.com	TF: 866-648-7101 x 103
Accounts Receivable – KDavis@theESlchoic.com	TF: 866-648-7101 x 105

Equipment Synergy International, LLC

P.O. Box 1902 (7422 Rock Hollow Lane) Midland, Michigan 48641 (48642)
Toll Free: 866.648.7101 Fax: 336.310.1177
web: www.theESlchoice.com

ETR70H-01-A FUEL TANK & HANDLE ASSY

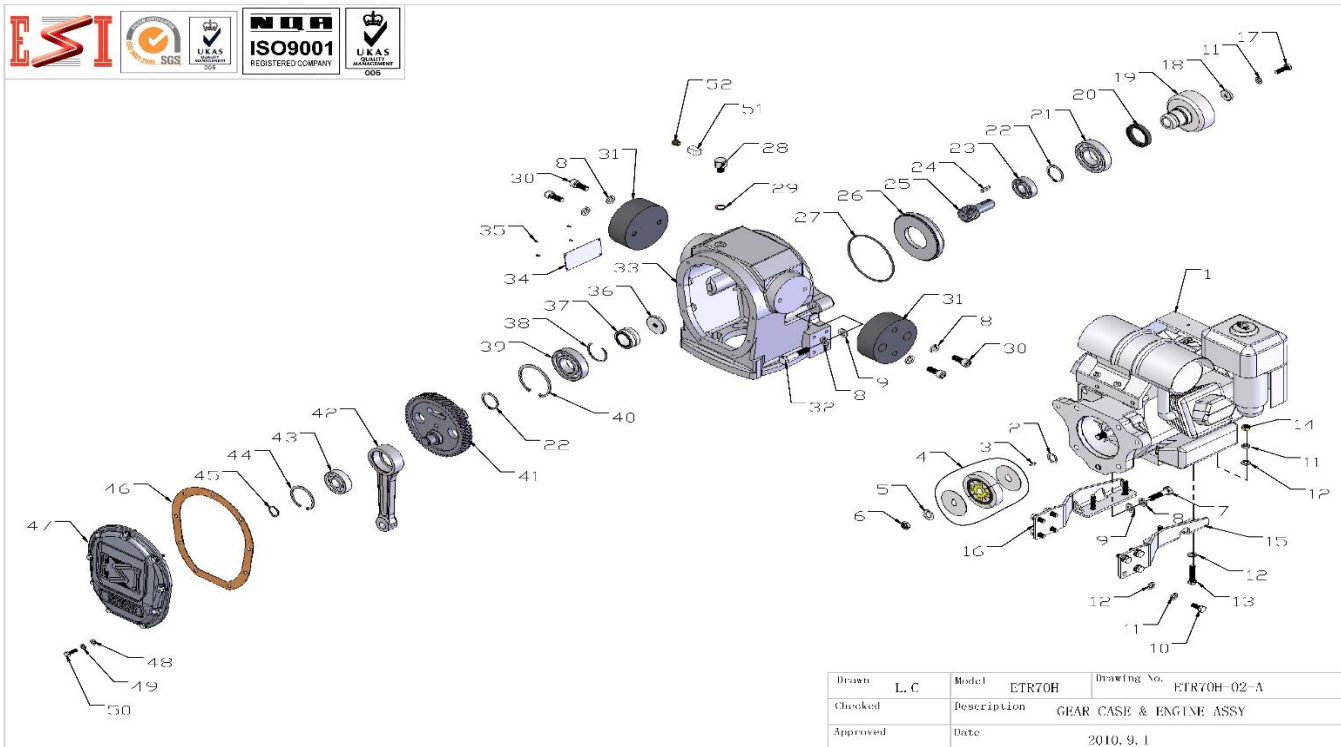


Drawn	C. J	Model	ETR70H	Drawing No.	ETR70H-01-A
Checked		Description	FUEL TANK & HANDLE ASSY		
Approved		Date	2014. 3. 14		

ETR70H-01-A FUEL TANK & HANDLE ASSY

NO.	PART NO.	PART DESCRIPTION	QTY
01-1	ETR70H-70B-010112E	FUEL TANK CAP	1
01-2	ETR70H-85d-010109-C	FUEL TANK	1
01-3	ETR70H-FN.B-M8x30-8.8-DIN-1	BOLT	2
01-4	ETR70H-WOD.W8-GB-1	WASHER	2
01-5	ETR70H-70ND-010114	STRAINER	1
01-6	ETR70H-70ND-010115	PACKING	1
01-7	ETR70H-85d-010113	FUEL TANK CAP ,BOTTOM	1
01-8	ETR70H-70B-000020	FUEL VALVE	1
01-9	ETR70H-70B-000021	HOSE BAND	2
01-10	ETR70H-70B-000022	FUEL HOSE	1
01-10	ETR70H-70B-000022		
01-11	ETR70H-85d-010100A	OPERATION HANDLE	1
01-12	ETR70H-FN.W8-DIN-1	WASHER	2
01-13	ETR70H-IN.N-M8-DIN-1	LOCK NUT	2
01-14	ETR70H-FN.B-M10x25-8.8-DIN-1	BOLT	4
01-15	ETR70H-HSPG.W10-DIN-1	SPRING WASHER,TANG ENDS	4
01-16	ETR70H-HF.B-M5x20-8.8-DIN-3	HEXAGON FLANGE BOLT	4
01-17	ETR70H-65ND-010100-B	ROLLER	4
01-18	ETR70H-HF.N-M5-DIN-3	HEXAGON FLANGE NUT	4
01-19	ETR70H-70ND-000028	HANDLE FOAM	1
01-20	ETR70H-70ND-000029E-A	HANDLE FABRIC	1
01-21	ETR70H-HSPG.W6-DIN-2	SPRING WASHER,TANG ENDS	2
01-22	ETR70H-HC.N-M6-DIN-2	CAP NUT	2
01-23	ETR70H-FN.B-M6x20-8.8-DIN-2	BOLT	2
01-24	ETR70H-HC.N-M10-DIN-2	CAP NUT	1
01-25	ETR70H-FNL.N-M10-DIN-2	HEXAGON THIN NUT	1
01-26	ETR70H-FN.W10-DIN-2	WASHER	2
01-27	ETR70H-70ND-060000	THROTTLE LEVER	1
01-28	ETR70H-FHSS.S-M6x8-GB-3	SOCKET SCREW WITH FLAT HEAD	1
01-29	ETR70H-HC.N-M8-DIN-2	CAP NUT	1
01-30	ETR70H-FNL.N-M8-DIN-2	HEXAGON THIN NUT	2
01-31	ETR70H-FHSS.S-M8x20-GB-3	SOCKET SCREW WITH FLAT HEAD	1
01-32	ETR70H-70ND-060001	THROTTLE BODY	1
01-33	ETR70H-70ND-060003	BOLT	1
01-34	ETR70H-70ND-060002	THROTTLE GEAR	1
01-35	ETR70H-W04-45x3	O-RING	1
01-36	ETR70H-70ND-060004	SLIDER	1
01-37	ETR70H-W06-S04-L650x850	THROTTLE CABLE	1
01-38	ETR70H-70ND-010018	THROTTLE LEVER ASSY	1

ETR70H-02 -A GEAR CASE & ENGINE ASSY



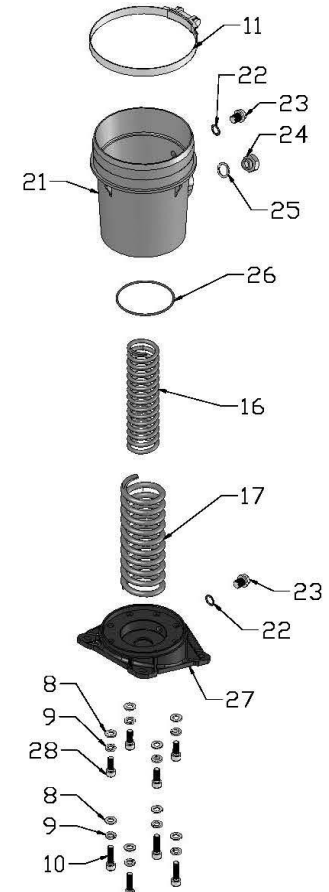
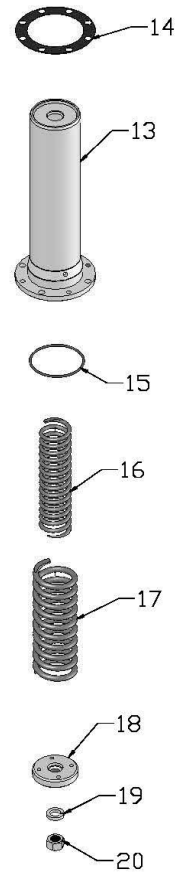
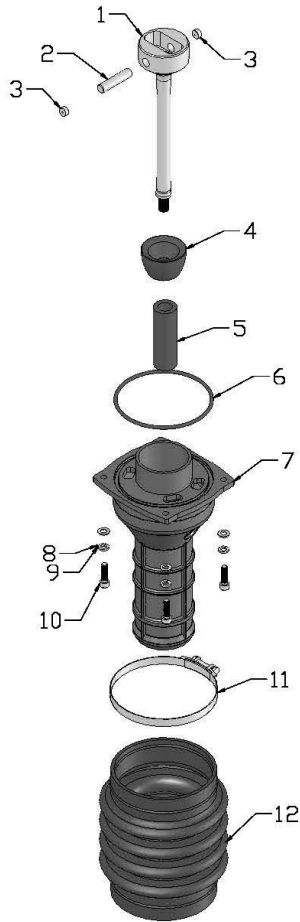
ETR70H-02 -A GEAR CASE & ENGINE ASSY

NO.	PART NO.	PART DESCRIPTION	QTY
02-1	ETR70H-GX120U1-KRF4	ENGINE	1
02-2	ETR70H-80-0997	WASHER	1
02-3	ETR70H-WKey-4x5x13	WOODRUFF KEY	1
02-4	ETR70H-W18-C812A	CENTRIFUGAL CLUTCH ASSY	1
02-5	ETR70H-80-0998	LOCK WASHER	1
02-6	ETR70H-FNL.N-M12x1.25-DIN-2	THIN NUT	1
02-7	ETR70H-FN.B-M10x1.25x40-8.8-DIN-1	BOLT	1
02-8	ETR70H-HSPG.W10-DIN-1	SPRING WASHER,TANG ENDS	7
02-9	ETR70H-FN.W10-DIN-1	WASHER	3
02-10	ETR70H-FN.B-M8x20-8.8-DIN-1	BOLT	8
02-10	ETR70H-FN.B-M8x20-8.8-DIN-1		
02-11	ETR70H-HSPG.W8-DIN-1	SPRING WASHER,TANG ENDS	13
02-12	ETR70H-FN.W8-DIN-1	WASHER	16
02-13	ETR70H-FN.B-M8x40-8.8-DIN-1	BOLT	4
02-14	ETR70H-FN.N-M8-DIN-1	NUT	4
02-15	ETR70H-70ND-070100L	SUPPORT BASE,LEFT	1
02-16	ETR70H-70ND-070100R	SUPPORT BASE,RIGHT	1
02-17	ETR70H-FN.B-M8x25-8.8-DIN-1	BOLT	1
02-18	ETR70H-70B-020129	LOCK WASHER	1
02-19	ETR70H-70B-020119	CLUTCH HOUSING	1
02-20	ETR70H-W03-52x40x8	OIL SEAL	1
02-21	ETR70H-W01-6207Z-J	BEARING	1
02-22	ETR70H-CS.RG35	EXTERNAL CIRCLIP	2
02-23	ETR70H-W01-6204-J	BEARING	1
02-24	ETR70H-Key.A-5x5x22	KEY	1
02-25	ETR70H-85ND-020124	PINION	1
02-26	ETR70H-65ND-020110	SPACER	1
02-27	ETR70H-W04-104.4x3.1	O RING	1
02-28	ETR70H-70B-020106A	BREATHER BOLT	1
02-29	ETR70H-GB97.1-M12	CUPRUM WASHER	1
02-30	ETR70H-HS.B-M10x25-8.8-GB-1	SCREW	4
02-31	ETR70H-70B-020125	SHOCK ABSORBER	2
02-32	ETR70H-FN.B-M10x1.25x55-8.8-DIN-1	BOLT	2
02-33	ETR70H-70ND-010000H	GEAR CASE	1
02-34	ETR70H-D4-MP-E	NAMEPLATE	1
02-35	ETR70H-K.RVT-2.5x5	RIVET	4
02-36	ETR70H-70B-020101	WASHER	1
02-37	ETR70H-W01-TAF324220	BEARING	1 SET
	ETR70H-W01-LRT283220		
02-38	ETR70H-70B-020112	INTERNAL CIRCLIP	1
02-39	ETR70H-W01-6207-J	BEARING	1

ETR70H-02 -A GEAR CASE & ENGINE ASSY

NO.	PART NO.	PART DESCRIPTION	QTY
02-40	ETR70H-CH.RG72	INTERNAL CIRCLIP	1
02-41	ETR70H-85ND-020115H	CRANK GEAR	1
02-42	ETR70H-70ND-020102	CONNECTING ROD	1
02-43	ETR70H-W01-6304-J	BEARING	1
02-44	ETR70H-CH.RG52	INTERNAL CIRCLIP	1
02-45	ETR70H-CS.RG20	EXTERNAL CIRCLIP	1
02-46	ETR70H-70ND-020114	PACKING,FRONT COVER	1
02-47	ETR70H-70ND-020103E	FRONT COVER	1
02-48	ETR70H-FN.W6-DIN-1	WASHER	9
02-49	ETR70H-HSPG.W6-DIN-1	SPRING WASHER,TANG ENDS	9
02-50	ETR70H-FN.B-M6x20-8.8-DIN-1	BOLT	9
02-51	ETR70H-70B-020107	SPONGE	1
02-52	ETR70H-XSQ-PSV-01-G1/8	MUFFLER	1

ETR70H-03 GUIDE CYLINDER & SPRING ASSY

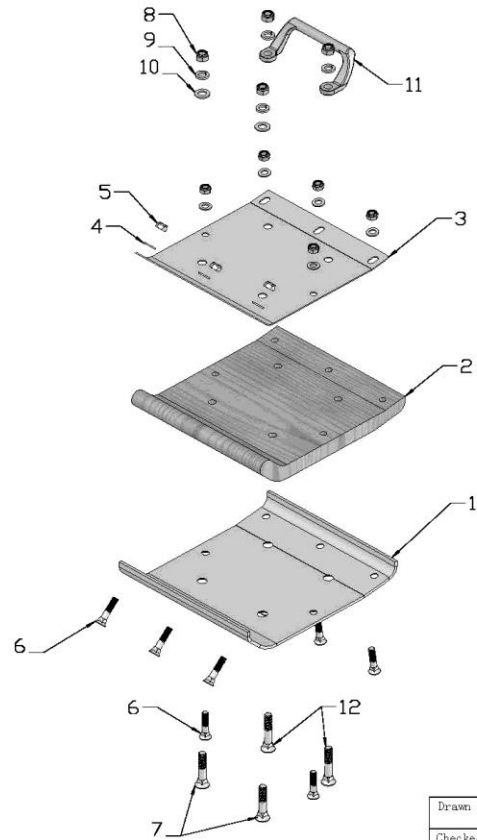


Drawn	L. C	Model	ETR70H	Drawing No.	ETR70H-03
Checked		Description	GUIDE CYLINDER & SPRING ASSY		
Approved		Date	2010. 9. 1		

ETR70H-03 GUIDE CYLINDER & SPRING ASSY

NO.	PART NO.	PART DESCRIPTION	QTY
03-1	ETR70H-70ND-020001	PISTON ROD	1
03-2	ETR70H-70ND-020215	PISTON PIN	1
03-3	ETR70H-70ND-020211	NYLON STOPPLE	2
03-4	ETR70H-70ND-020221	STOPPER	1
03-5	ETR70H-70ND-020219	SPRING GUIDE	1
03-6	ETR70H-W04-159.3x5.7	O RING	1
03-7	ETR70H-70ND-020206A	GUIDE CYLINDER	1
03-8	ETR70H-FN.W10-DIN-1	WASHER	12
03-9	ETR70H-HSPG.W10-DIN-1	SPRING WASHER,TANG ENDS	12
03-10	ETR70H-HS.B-M10x35-GB-1	SCREW	8
03-10	ETR70H-HS.B-M10x35-GB-1		
03-11	ETR70H-70B-021000	BELLOW HOOP	2
03-12	ETR70H-70B-020216	BELLOW	1
03-13	ETR70H-70ND-020220	SPRING CYLINDER	1
03-14	ETR70H-70ND-020218	PACKING	1
03-15	ETR70H-W04-88x3.5	O RING	1
03-16	ETR70H-70ND-020201	INNER SPRING	2
03-17	ETR70H-70ND-020202	OUTER SPRING	2
03-18	ETR70H-70ND-020210	PISTON	1
03-19	ETR70H-SPG.W18-DIN-3	SPRING WASHER	1
03-20	ETR70H-FN.N-M18x1.5-DIN-3	NUT	1
03-21	ETR70H-70ND-020222	PROTECTION SLEEVE	1
03-22	ETR70H-GB97.1-M14	CUPRUM WASHER	2
03-23	ETR70H-HHOS.B-M14x1.5	HEXAGON HEAD PLUG	2
03-24	ETR70H-100GB-041000	OIL GAUGE	1
03-25	ETR70H-ZH-D-M20	WASHER	1
03-26	ETR70H-W04-94.4x3.1	O RING	1
03-27	ETR70H-85ND-030200	FOOT PLATE	1
03-28	ETR70H-HS.B-M10x25-8.8-DIN-1	SCREW	4

ETR70H-04-A RAMMER SHOE ASSY



Drawn	L. C	Model	ETR70H	Drawing No.	ETR70H-04
Checked		Description	RAMMER SHOE ASSY		
Approved		Date	2010. 9. 1		

ETR70H-04-A RAMMER SHOE ASSY

NO.	PART NO.	PART DESCRIPTION	QTY
04-1	ETR70H-70ND-030106	RAMMER SHOE STEEL PLATE	1
04-2	ETR70H-70ND-030104	RAMMER SHOE WOODEN PLATE	1
04-3	ETR70H-70ND-030105	RAMMER SHOE CLAMP PLATE	1
04-4	ETR70H-FN.W10-DIN-1	WASHER	8
04-5	ETR70H-IN.N-M10-DIN-1	LOCK NUT	8
04-6	ETR70H-FSN.B-M10x50	SUNK HEAD BOLT	8
04-7	ETR70H-FSN.B-M12x65	SUNK HEAD BOLT	2
04-8	ETR70H-IN.N-M12-DIN-1	LOCK NUT	4
04-9	ETR70H-HSPG.W12-DIN-1	SPRING WASHER, TANG ENDS	4
04-10	ETR70H-FN.W12-DIN-1	WASHER	2
04-10	ETR70H-FN.W12-DIN-1		
04-11	ETR70H-70ND-030100A	HANDLE	1
04-12	ETR70H-FSN.B-M12x90	SUNK HEAD BOLT	2