



ETR50H

TAMPING RAMMER

PARTS MANUAL

The ESI Team at your service

Roger Euliss – rogere@theESIchoice.com	TF: 866-648-7101 x 101; Cell: 310-433-2355
Garry Haferbier – garryh@theESIchoice.com	TF: 866-648-7101 x 104; Cell: 609-233-9671
Poonam Kapila – poonamk@theESIchoice.com	TF: 866-648-7101 x 102; Cell: 310-502-7721
Jeremy Willis - Jeremy.Willis@alleneng.com	TF: 800-643-0095 or 870-236-3700 x 148
Sales Information – Sales@theESIchoice.com	TF: 866-648-7101 x 103
Orders – Orders@theESIchoice.com	TF: 866-648-7101 x 103
Accounts Receivable – KDavis@theESIchoic.com	TF: 866-648-7101 x 105

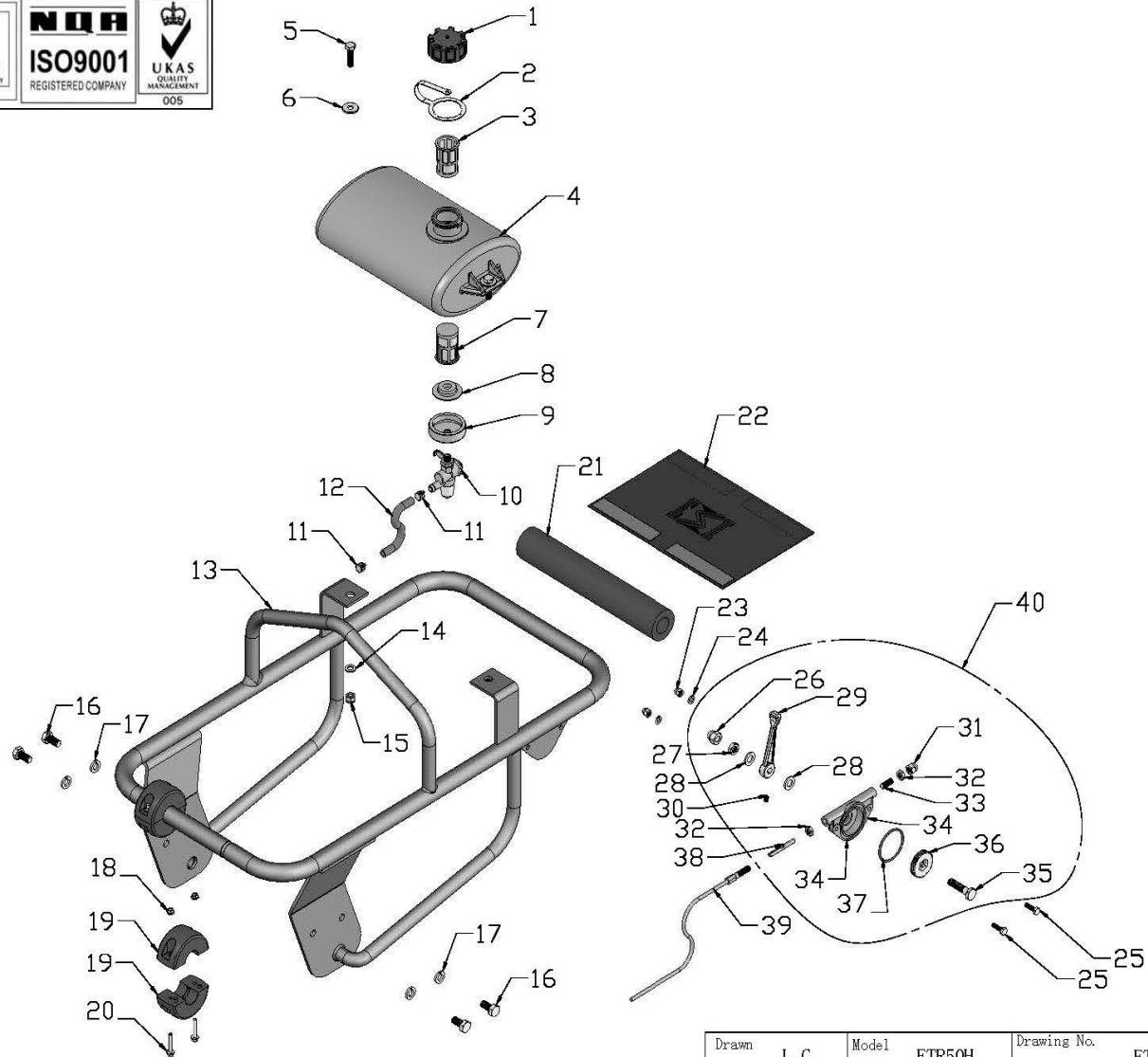
Equipment Synergy International, LLC

P.O. Box 1902 (7422 Rock Hollow Lane) Midland, Michigan 48641 (48642)

Toll Free: 866.648.7101 Fax: 336.310.1177

web: www.theESIchoice.com

ETR50H-01 FUEL TANK & HANDLE ASSY

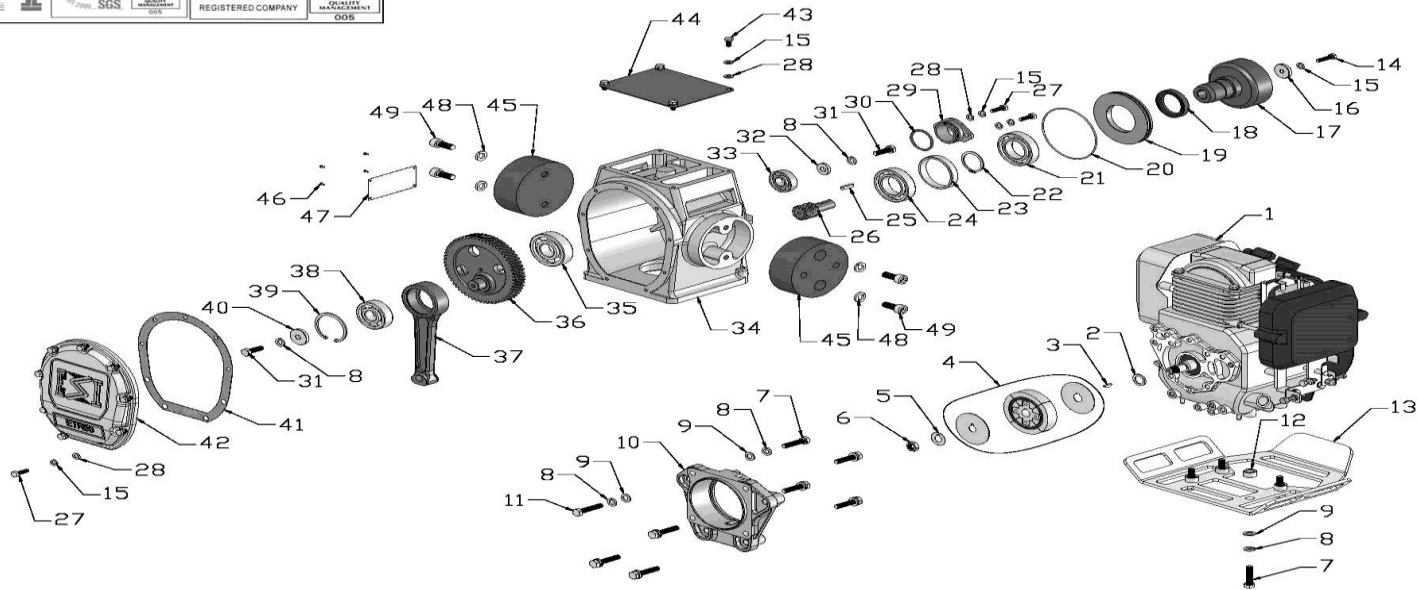


Drawn	L. C	Model	ETR50H	Drawing No.	ETR50H-01
Checked		Description	FUEL TANK & HANDLE ASSY		
Approved		Date	2010. 8. 31		

ETR50H-01 FUEL TANK & HANDLE ASSY

NO.	PART NO.	PART DESCRIPTION	QTY
01-1	ETR50H-70B-010112P	FUEL TANK CAP	1
01-2	ETR50H-70B-010113P	STRAP	1
01-3	ETR50H-70ND-010114	STRAINER	1
01-4	ETR50H-85d-010109	FUEL TANK	1
01-5	ETR50H-FN.B-M8x30-8.8-DIN-1	BOLT	2
01-6	ETR50H-WOD.W8-GB-1	WASHER	2
01-7	ETR50H-70B-010110	STRAINER	1
01-8	ETR50H-70ND-010115	PACKING	1
01-9	ETR50H-85d-010113	FUEL TANK CAP ,BOTTOM	1
01-10	ETR50H-70B-000020	FUEL VALVE	1
01-11	ETR50H-70B-000021	HOSE BAND	2
01-12	ETR50H-70B-000022	FUEL HOSE	1
01-13	ETR50H-50ND-010100E	OPERATION HANDLE	1
01-14	ETR50H-FN.W8-DIN-1	WASHER	2
01-15	ETR50H-IN.N-M8-DIN-1	LOCK NUT	2
01-16	ETR50H-FN.B-M10x20-8.8-DIN-1	BOLT	4
01-17	ETR50H-HSPG.W10-DIN-1	SPRING WASHER,TANG ENDS	4
01-18	ETR50H-HF.N-M5-DIN-3	HEXAGON FLANGE NUT	4
01-19	ETR50H-65ND-010100	ROLLER	4
01-20	ETR50H-HF.B-M5x30-8.8-DIN-3	HEXAGON FLANGE BOLT	4
01-21	ETR50H-70ND-000028	HANDLE FOAM	1
01-22	ETR50H-70ND-000029E	HANDLE FABRIC	1
01-23	ETR50H-HC.N-M6-DIN-2	CAP NUT	2
01-24	ETR50H-HSPG.W6-DIN-2	SPRING WASHER,TANG ENDS	2
01-25	ETR50H-FN.B-M6x20-8.8-DIN-2	BOLT	2
01-26	ETR50H-HC.N-M10-DIN-2	CAP NUT	1
01-27	ETR50H-FNL.N-M10-DIN-2	HEXAGON THIN NUT	1
01-28	ETR50H-FN.W10-DIN-2	WASHER	2
01-29	ETR50H-70ND-060000	THROTTLE LEVER	1
01-30	ETR50H-FHSS.S-M6x8-GB-3	SOCKET SCREW WITH FLAT HEAD	1
01-31	ETR50H-HC.N-M8-DIN-2	CAP NUT	1
01-32	ETR50H-FNL.N-M8-DIN-2	HEXAGON THIN NUT	2
01-33	ETR50H-FHSS.S-M8x20-GB-3	SOCKET SCREW WITH FLAT HEAD	1
01-34	ETR50H-70ND-060001	THROTTLE BODY	1
01-35	ETR50H-70ND-060003	BOLT	1
01-36	ETR50H-70ND-060002	THROTTLE GEAR	1
01-37	ETR50H-W04-45x3	O-RING	1
01-38	ETR50H-70ND-060004	SLIDER	1
01-39	ETR50H-W06-S04-L600x800	THROTTLE CABLE	1
01-40	ETR50H-70ND-010018	THROTTLE LEVER ASSY	1

ETR50H-02 GEAR CASE & ENGINE ASSY

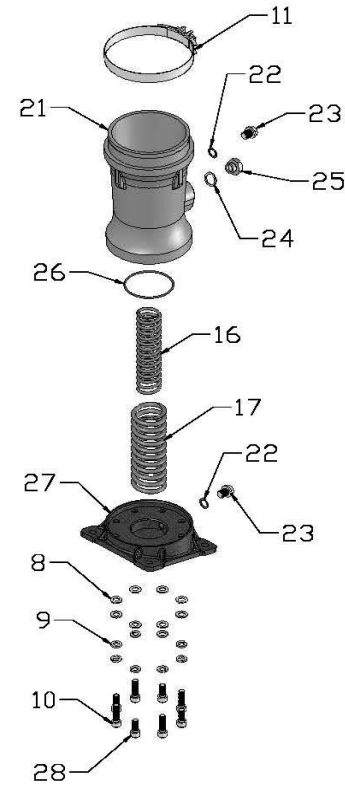
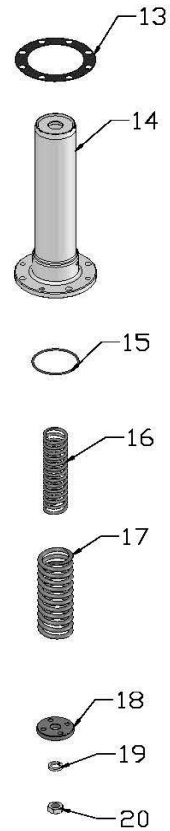
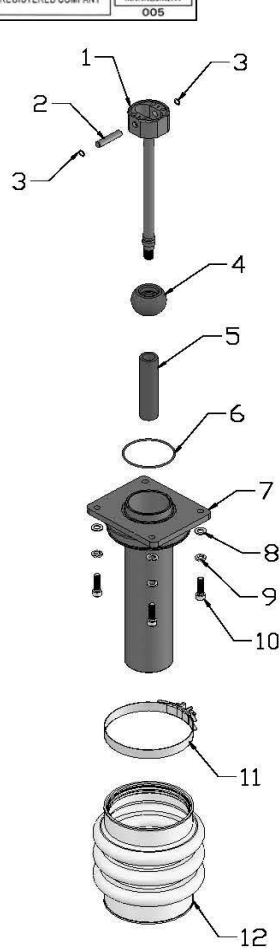


Drawn	L. C	Model	ETR50H	Drawing No.	ETR50H-02
Checked		Description	GEAR CASE & ENGINE ASSY		
Approved		Date	2010. 8. 31		

ETR50H-02 GEAR CASE & ENGINE ASSY

NO.	PART NO.	PART DESCRIPTION	QTY
02-1	ETR50H-W05-GX100U-KRHP	ENGINE	1
02-2	ETR50H-RAM80-0997	WASHER	1
02-3	ETR50H-WKey-4x5x13	WOODRUFF KEY	1
02-4	ETR50H-W18-C812A	CENTRIFUGAL CLUTCH ASSY	1
02-5	ETR50H-RAM80-0998	LOCK WASHER	1
02-6	ETR50H-FNL.N-M12x1.25-DIN-2	THIN NUT	1
02-7	ETR50H-FN.B-M8x35-8.8-DIN-1	BOLT	8
02-8	ETR50H-HSPG.W8-DIN-1	SPRING WASHER,TANG ENDS	14
02-9	ETR50H-FN.W8-DIN-1	WASHER	12
02-10	ETR50H-60ND-020001	FLANGE	1
02-11	ETR50H-FN.B-M8x40-8.8-DIN-1	BOLT	4
02-12	ETR50H-276-040200	WASHER	4
02-13	ETR50H-60ND-020003H	SUPPORT BASE, ENGINE	1
02-14	ETR50H-FN.B-M6x25-8.8-DIN-1	BOLT	1
02-15	ETR50H-HSPG.W6-DIN-1	SPRING WASHER,TANG ENDS	16
02-16	ETR50H-50ND-020004	LOCK WASHER	1
02-17	ETR50H-50ND-020005	CLUTCH HOUSING	1
02-18	ETR50H-W03-52x40x8	OIL SEAL	1
02-19	ETR50H-50ND-020006	SPACER	1
02-20	ETR50H-W04-94.5x2	O RING	1
02-21	ETR50H-W01-6007Z-J	BEARING	1
02-22	ETR50H-CS.RG35	EXTERNAL CIRCLIP	1
02-23	ETR50H-50ND-020009	SPACER	1
02-24	ETR50H-W01-6007-J	BEARING	1
02-25	ETR50H-Key.A-5x5x22	KEY	1
02-26	ETR50H-50ND-020012	PINION	1
02-27	ETR50H-FN.B-M6x20-8.8-DIN-1	BOLT	11
02-28	ETR50H-FN.W6-DIN-1	WASHER	15
02-29	ETR50H-50ND-020046	SEAL COVER, GEAR CASE	1
02-30	ETR50H-W04-34.4x3.1	O-RING	1
02-31	ETR50H-FN.B-M8x25-8.8-DIN-1	BOLT	2
02-32	ETR50H-50ND-020041	WASHER	1
02-33	ETR50H-W01-6203-J	BEARING	1
02-34	ETR50H-50ND-020016E	GEAR CASE	1
02-35	ETR50H-W01-6305-J	BEARING	1
02-36	ETR50H-50ND-020018	CRANK GEAR	1
02-37	ETR50H-50ND-020019	CONNECTING ROD	1
02-38	ETR50H-W01-6304-J	BEARING	1
02-39	ETR50H-CH.RG52	INTERNAL CIRCLIP	1
02-40	ETR50H-50ND-020022	WASHER	1
02-41	ETR50H-50ND-020026	PACKING,FRONT COVER	1
02-42	ETR50H-50ND-020027E	FRONT COVER	1
02-43	ETR50H-FN.B-M6x12-8.8-DIN-1	BOLT	4
02-44	ETR50H-50ND-020017	COVER	1
02-45	ETR50H-70B-020125	SHOCK ABSORBER	2
02-46	ETR50H-K.RVT-2.5x5	RIVET	4
02-47	ETR50H-D4-MP-E	NAMEPLATE	1
02-48	ETR50H-HSPG.W10-DIN-1	SPRING WASHER,TANG ENDS	4
02-49	ETR50H-HS.B-M10x25-8.8-GB-1	SCREW	4

ETR50H-03 GUIDE CYLINDER & SPRING ASSY

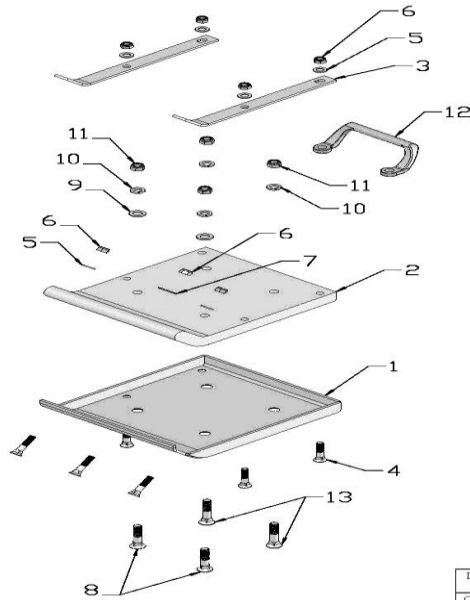


Drawn	L. C	Model	ETR50H	Drawing No.	ETR50H-03
Checked		Description	GUIDE CYLINDER & SPRING ASSY		
Approved		Date	2010.8.31		

ETR50H-03 GUIDE CYLINDER & SPRING ASSY

NO.	PART NO.	PART DESCRIPTION	QTY
03-1	ETR50H-50ND-030003	PISTON ROD	1
03-2	ETR50H-50ND-030002	PISTON PIN	1
03-3	ETR50H-CH.RG12	INTERNAL CIRCLIP	2
03-4	ETR50H-50ND-030004	STOPPER	1
03-5	ETR50H-50ND-030005	SPRING GUIDE	1
03-6	ETR50H-W04-84.4x3.1	O RING	1
03-7	ETR50H-50ND-030012	GUIDE CYLINDER	1
03-8	ETR50H-FN.W10-DIN-1	WASHER	12
03-9	ETR50H-HSPG.W10-DIN-1	SPRING WASHER,TANG ENDS	12
03-10	ETR50H-HS.B-M10x35-8.8-GB-1	SCREW	8
03-11	ETR50H-50ND-030013	BELLOW HOOP	2
03-12	ETR50H-50ND-030016P	BELLOW	1
03-13	ETR50H-70ND-020218	PACKING	1
03-14	ETR50H-50ND-030023	SPRING CYLINDER	1
03-15	ETR50H-W04-74.4x3.1	O RING	1
03-16	ETR50H-50ND-030006	INNER SPRING	2
03-17	ETR50H-50ND-030007	OUTER SPRING	2
03-18	ETR50H-50ND-030008	PISTON	1
03-19	ETR50H-HSPG.W16-DIN-1	SPRING WASHER,TANG ENDS	1
03-20	ETR50H-50ND-030010	NUT	1
03-21	ETR50H-50ND-030017	PROTECTION SLEEVE	1
03-22	ETR50H-GB97.1-M14	CUPRUM WASHER	2
03-23	ETR50H-HHOS.B-M14x1.5	HEXAGON HEAD PLUG	2
03-24	ETR50H-ZH-D-M20	WASHER	1
03-25	ETR50H-100GB-041000	OIL GAUGE	1
03-26	ETR50H-W04-79.4x3.1	O RING	1
03-27	ETR50H-50ND-030033	FOOT PLATE	1
03-28	ETR50H-HS.B-M10x25-8.8-GB-1	SCREW	4

ETR50H-04 RAMMER SHOE ASSY



Drawn	L. C	Model	ETR50H	Drawing No.	ETR50H-04
Checked		Description	RAMMER SHOE ASSY		
Approved		Date	2010. 8. 31		

ETR50H-04 RAMMER SHOE ASSY

NO.	PART NO.	PART DESCRIPTION	QTY
04-1	ETR50H-50ND-040003	RAMMER SHOE STEEL PLATE	1
04-2	ETR50H-50ND-040002	RAMMER SHOE WOODEN PLATE	1
04-3	ETR50H-50ND-040001	RAMMER SHOE CLAMP PLATE	2
04-4	ETR50H-FSN.B-M10x50	SUNK HEAD BOLT	7
04-5	ETR50H-FN.W10-DIN-1	WASHER	6
04-6	ETR50H-IN.N-M10-DIN-1	LOCK NUT	7
04-7	ETR50H-WOD.W10-GB-1	WASHER	1
04-8	ETR50H-FSN.B-M12x60	SUNK HEAD BOLT	2
04-9	ETR50H-FN.W12-DIN-1	WASHER	2
04-10	ETR50H-HSPG.W12-DIN-1	SPRING WASHER,TANG ENDS	4
04-11	ETR50H-IN.N-M12-DIN-1	LOCK NUT	4
04-12	ETR50H-70ND-030100A	HANDLE	1
04-13	ETR50H-FSN.B-M12x85	SUNK HEAD BOLT	2